



# MODEL PR Automatic Sampler

**Collects Samples from  
Dilute and Dense Phase  
Convey Lines**



## Features

- Designed to eliminate the degradation of product
- Includes 316 stainless steel tube and stainless steel body, filter/regulator and gauge, Teflon® seals, and maintenance-free industrial air cylinder
- Fully retracting sample tube will not restrict product flow between sample cycles
- 1/8" NPT capped purge nipple for sample tube cleanout

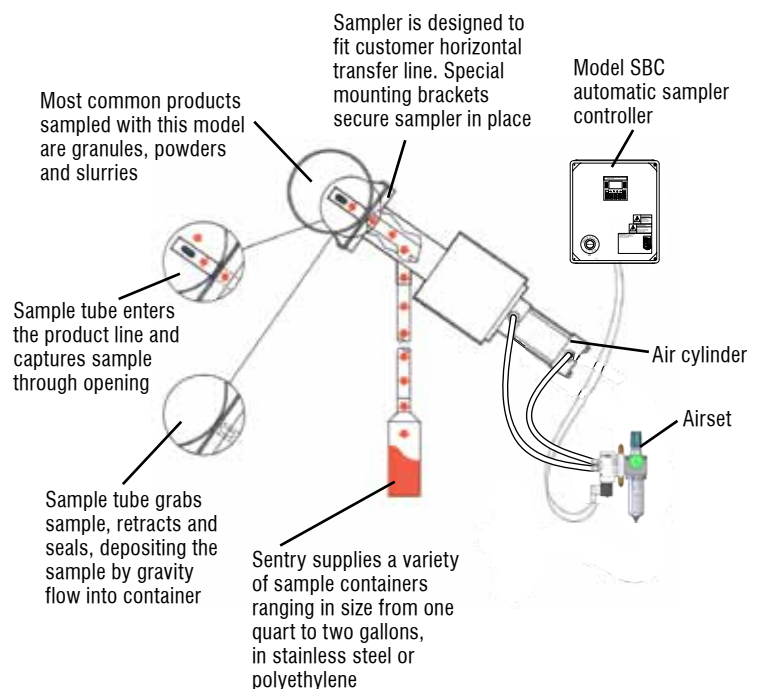
## Options

- Sample tube in stroke lengths of 4", 6" and 8"
- Nosepiece for vertical applications
- Nickel-impregnated Teflon® ensures a non-stick surface
- Hardening treatments to protect against wear and abrasion

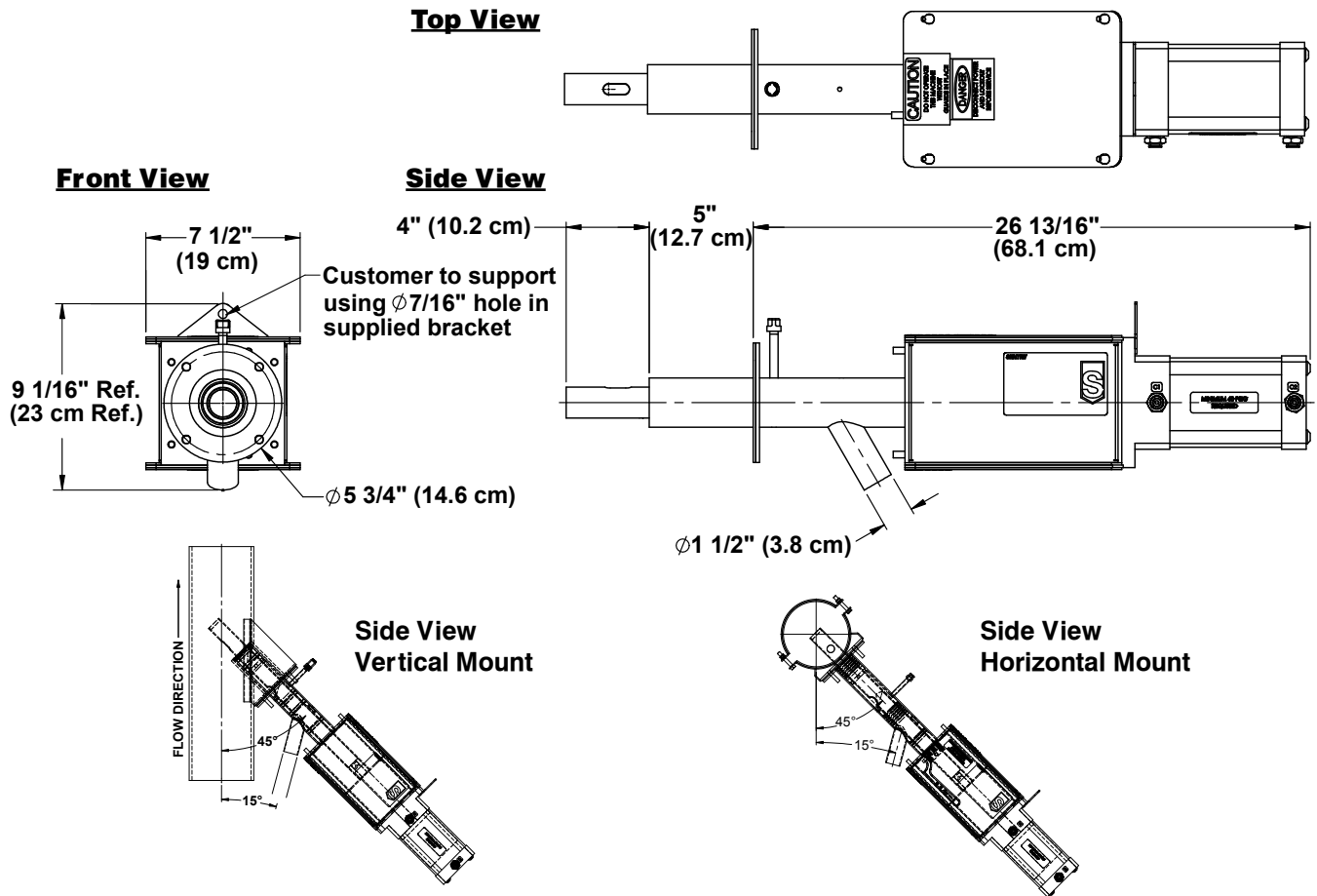
## Description

The Model PR is designed for spot sampling of free-flowing materials in dilute and dense phase horizontal pneumatic transfer lines. Rapid cycling acquires a large volume of sample over a short period of time. The Model PR is also recommended for slurry sampling.

The Model PR samples when a solenoid-controlled air cylinder operates a reciprocating probe in the product flow. A representative sample collects by gravity to the discharge point.



## MODEL PR TECHNICAL DATA



## SPECIFICATIONS

Basic Electrical Requirements	115/230 VAC, single phase, 60 Hz; control box fused to 2 amps
Air Requirements	80 psig, 1.5 ft <sup>3</sup> /cycle (5.5 barg, 42.5 l/cycle)
Quantity of Sample	determined by flow rate, aperture size and retract time
Product Size	10 $\mu$ m to 1/4" (6 mm); larger sizes upon request
Recommended Location of Sampler	screw conveyors or angled gravity chutes
Suggested Connection to Collection Point	rigid metal or flexible tubing to a container or indexing cabinet
Materials of Construction	304 stainless steel; acetal spacers and urethane wiper seal
Temperature Range	up to 250°F (121°C)

**NOTE:** Teflon is a registered trademark of E. I. Du Pont de Nemours and Company.

### WARNING

It is solely the responsibility of the end-user, through its own analysis and testing, to select products and materials suitable for their specific application requirements, ensure they are properly installed, safely applied, properly maintained, and limit their use to their intended purpose. Improper selection, installation, or use may result in personal injury or property damage.



### SENTRY EQUIPMENT CORP

966 Blue Ribbon Circle North  
Oconomowoc, WI 53066 USA  
Tel: 262-567-7256 • Fax: 262-567-4523

**E-mail:**  
sales@sentry-equip.com

**Website:**  
www.sentry-equip.com



For further information, contact: