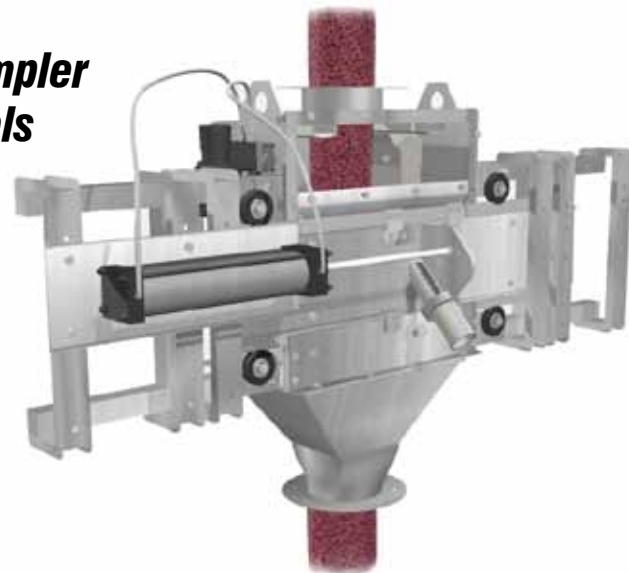




MODEL GA Automatic Sampler

**Automatic Cross-Cut Sampler
for Free-Flowing Materials**



MODEL GA AUTOMATIC SAMPLER

Features

- USDA, Canadian, FGIS and NOPA approved
- Available with air or electric actuation (120 VAC)
- Air filter, regulator and gauge included
- Stainless steel construction
- Square or round gravity chutes
- 2" or 3" diameter (51 or 76 mm) discharge tube

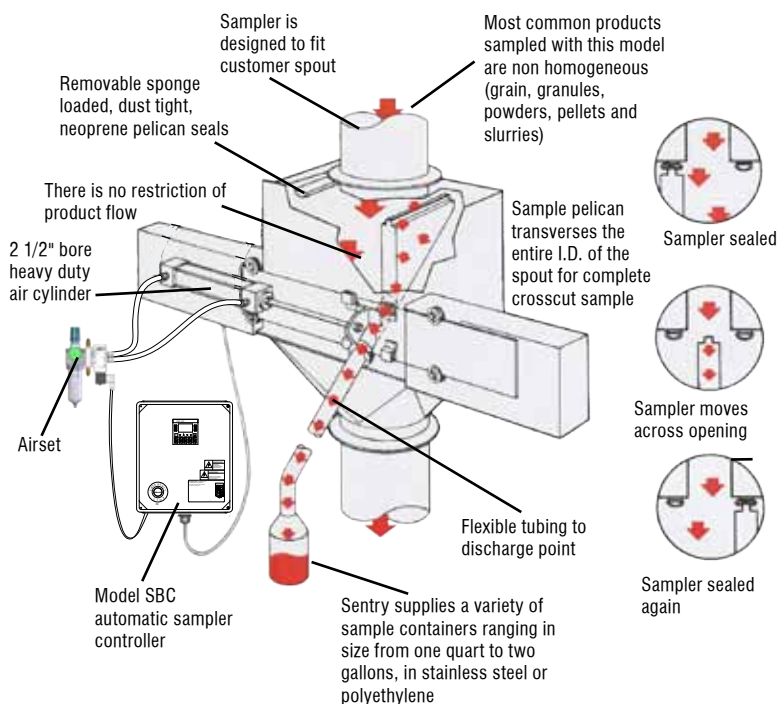
Description

The Model GA is a cross-cut sampler designed for automatic sampling of free-flowing, non homogeneous products, such as grain, granules, powders, pellets, and slurries, in vertical or inclined spouts.

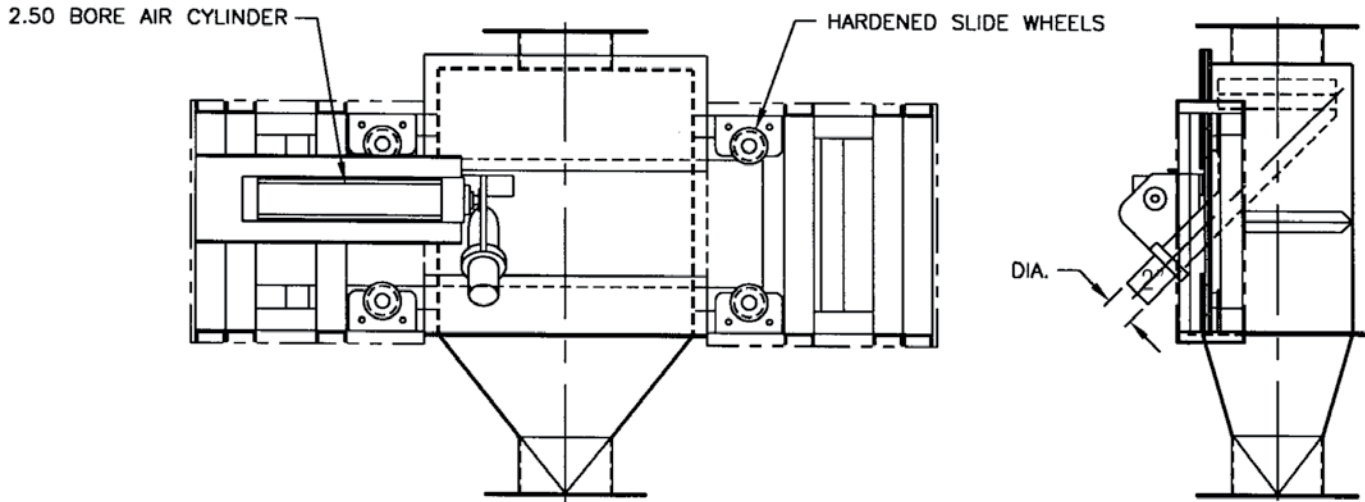
The Model GA samples when an air-actuated "pelican-type" head moves across product flow in spout and collects a representative sample to the discharge point.

Options

- Adjustable pelican opening
- Wear lining in lower transition
- Hydraulic drive
- Special seal materials available
- Teflon®-impregnated electroless nickel for a non-stick surface
- Hardening treatments to protect against wear and abrasion



MODEL GA TECHNICAL DATA



SPECIFICATIONS

Basic Electrical Requirements	115 VAC, single phase, 60 Hz; control box fused to 2 amps
Air Requirements	80 psig, 1.5 ft ³ /cycle (5.5 barg, 42.5 l/cycle)
Product Particle Size	10 micron to 1/4" (6 mm); larger sizes upon request
Recommended Location of Sampler	vertical gravity lines; fits round, square or other sloped chutes
Suggested Connection to Collection Point	rigid metal or flexible tubing to a container or indexing cabinet
Materials of Construction	300 series stainless steel
Temperature range	up to 250° F (121° C)

NOTE: Teflon is a registered trademark of E. I. Du Pont de Nemours and Company.

⚠ WARNING

It is solely the responsibility of the end-user, through its own analysis and testing, to select products and materials suitable for their specific application requirements, ensure they are properly installed, safely applied, properly maintained, and limit their use to their intended purpose. Improper selection, installation, or use may result in personal injury or property damage.



SENTRY EQUIPMENT CORP

966 Blue Ribbon Circle North
Oconomowoc, WI 53066 USA
Tel: 262-567-7256 • Fax: 262-567-4523

E-mail:
sales@sentry-equip.com

Website:
www.sentry-equip.com



For further information, contact: