



# MODEL B1 Automatic Sampler

***Automatically Samples Free-Flowing  
and Non-Free Flowing Bulk Solids***



## Features

- Total disassembly to ensure complete cleanup
- Auger reverses for clean-out of settled product in aperture opening
- Constructed of 316 stainless steel
- Close tolerance between the auger and the tube assures self-cleaning

## Options

- DC or explosion-proof motors
- Nickel-impregnated Teflon® for a non-stick surface
- Available in a model that is conformant to 3-A Sanitary Standards (through third party verification)

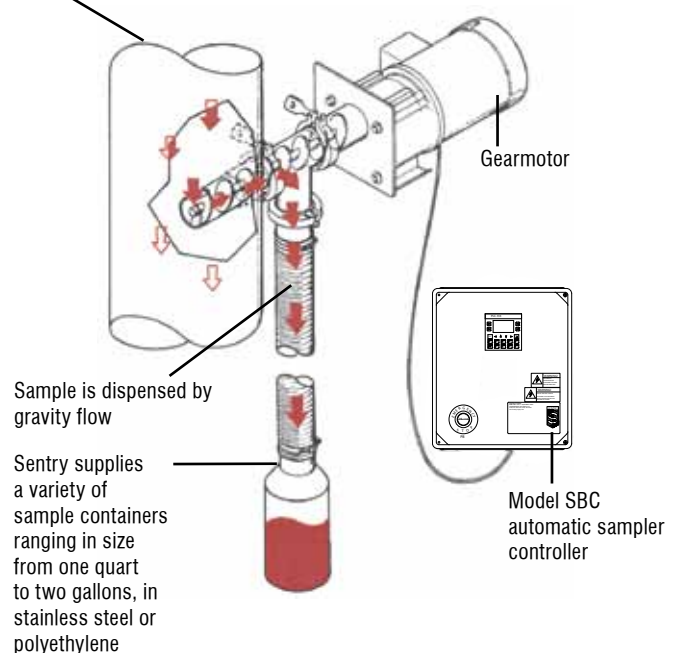


## Description

The Model B1 provides spot or strip sampling of free-flowing and non-free-flowing materials (granules, powders, flakes, powdered milk, and pharmaceutical products) in gravity chutes and hoppers.

The Model B1 samples when a gearmotor-driven auger draws the product to the discharge point.

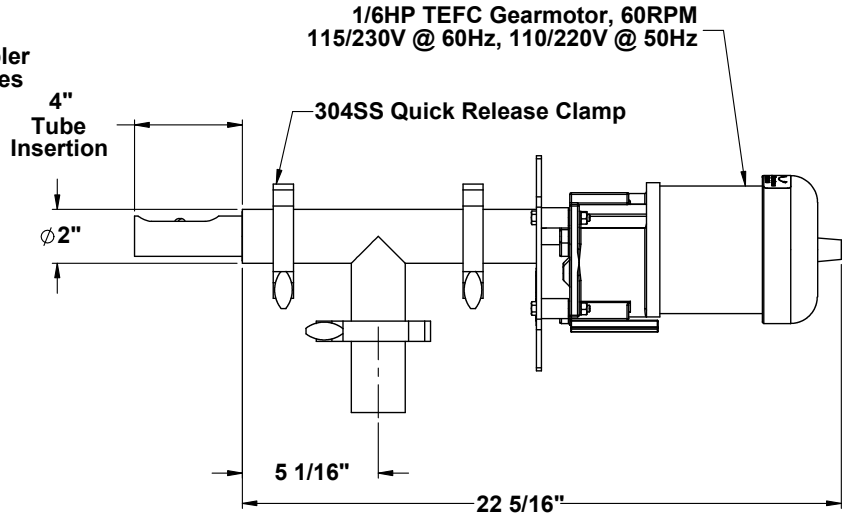
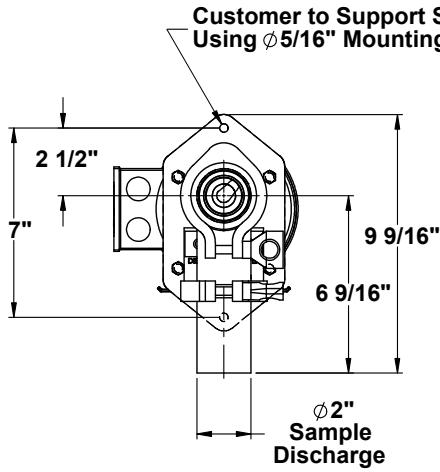
Most common products sampled with this model are powdered milk and food products that are granules, flakes or pellets



## MODEL B1 TECHNICAL DATA

**Front View**

**Side View**



### SPECIFICATIONS

Basic Electrical Requirements	115 VAC, single phase, 50 Hz or 60 Hz; control box fused to 2 amps
Motor	1/6 HP AC T.E.F.C.
Air Requirements	none
Quantity of Sample	determined by flow rate, aperture size and amount of time the auger runs
Product Size	10 micron to 1/4" (6 mm); larger sizes upon request
Recommended Location of Sampler	vertical gravity lines
Suggested Connection to Collection Point	rigid metal or flexible tubing to a collection container or indexing cabinet
Materials or Construction	316 stainless steel sampling tube and auger and FDA approved nylon
Temperature Range	up to 180° F (82° C)
Net Weight	21 lbs (9.5 kg)

**⚠ WARNING**

It is solely the responsibility of the end-user, through its own analysis and testing, to select products and materials suitable for their specific application requirements, ensure they are properly installed, safely applied, properly maintained, and limit their use to their intended purpose. Improper selection, installation, or use may result in personal injury or property damage.



### SENTRY EQUIPMENT CORP

966 Blue Ribbon Circle North  
Oconomowoc, WI 53066 USA  
Tel: 262-567-7256 • Fax: 262-567-4523

**E-mail:**  
sales@sentry-equip.com

**Website:**  
www.sentry-equip.com



For further information, contact: