



## **ISOLOK<sup>®</sup> SERIES MSD Automatic Sampler**

***For High Viscosity Products  
at Pressures above 30 PSIG***



**ISOLOK<sup>®</sup> SERIES MSD SAMPLER**

### ***Features***

- Samples high viscosity materials using a contracting annulus that ejects each collected sample into the attached container
- Collects sample volume of 10 cc at 30–40 psig (2.07-2.76 barg) process pressure, or 14 cc at 40–200 psig (2.76-13.79 barg) process pressure
- Ideal for liquids or slurries up to 150,000 centipoise

### ***Options***

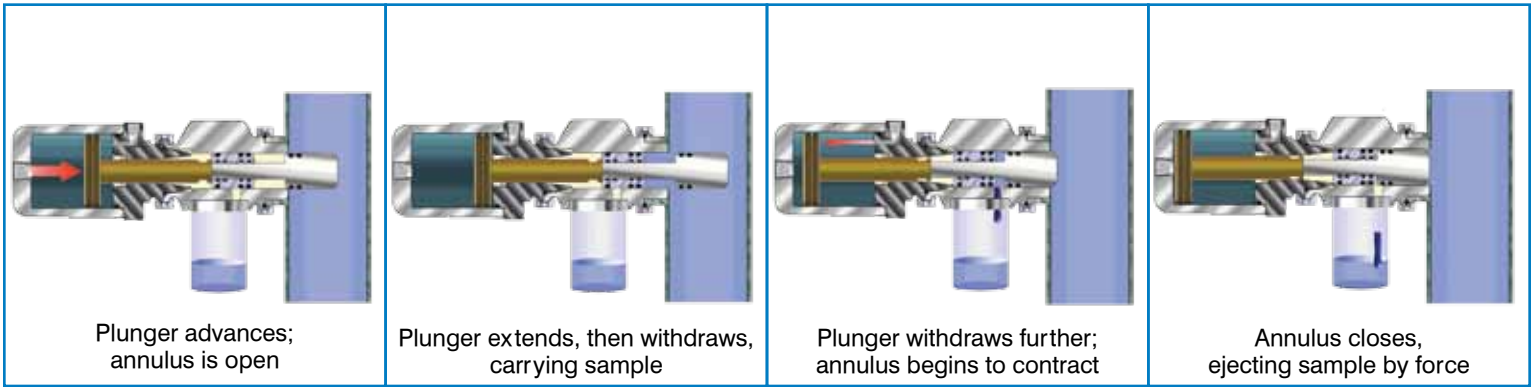
- Port closures
- Line adapters
- Several types of containers
- Sampler enclosures (with or without heater)
- Sample heating or refrigeration
- Optional materials of construction and seal choices

### ***Description***

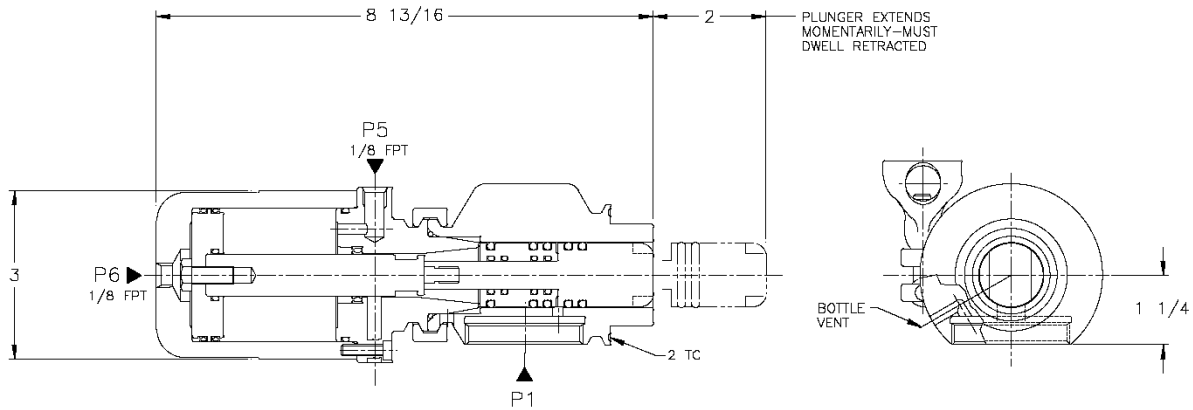
The ISOLOK<sup>®</sup> MSD series of samplers enable the collection of accurate samples of high viscosity materials such as toothpaste, peanut butter, tomato paste, juice concentrates — even rocket propellant. The MSD delivers a fixed volume of sample with each cycle. All metal parts are type 316 stainless steel with a polished finish. The sampler mounts onto the process line using a 2" Tri-Clamp ferrule mount held with a clamp and gasket. All product-contact seals are FDA-recognized elastomer compounds selected to meet application conditions.

Compressed air drives the sampler by forcing the plunger to reach into the process to capture a fixed volume of the material. Compressed air then acts on the opposite side of the piston to retract the plunger. Process line pressure assists in closing the sample annulus, forcing the material into the attached sample container. The operator is isolated from the process at all times by the sampler's seal design, and the sample captured in the container is locked out from external influences.

## SAMPLING PROCESS



## ISOLOK® MSD TECHNICAL DATA



## SPECIFICATIONS

Sample Volume per Cycle	max. 14 cc
Line Mounting Options	Tri-clamp or custom
Compressed Air Requirements	2 SCFM @ 90 psi (.05 m <sup>3</sup> /min @ 6.2 bar)
Materials of Construction	316 stainless steel
Actuator and Static Seals	TFE or Viton®
Plunger Seals	Buna-N, Viton® or custom
Overall Dimensions, length x diameter	8.8" x 3.25" (22 cm x 8.25 cm)
Net weight, not including controller or accessories	12.6 lb (5.7 kg)

Viton is a registered trademark of E. I. Du Pont de Nemours and Company.

**WARNING**

It is solely the responsibility of the end-user, through its own analysis and testing, to select products and materials suitable for their specific application requirements, ensure they are properly installed, safely applied, properly maintained, and limit their use to their intended purpose. Improper selection, installation, or use may result in personal injury or property damage.

**CE** European Authorized Rep:  
OBELUS  
Bd. General Wahis 53-1030  
Brussels Belgium

**Ex** II 2GD TX



### SENTRY EQUIPMENT CORP

966 Blue Ribbon Circle North  
Oconomowoc, WI 53066 USA  
Tel: 262-567-7256 • Fax: 262-567-4523

**E-mail:**  
sales@sentry-equip.com

**Website:**  
www.sentry-equip.com



For further information, contact: