



MODEL MVD Closed Loop Process Sample Valve

Safe & Accurate Sampling for Liquids



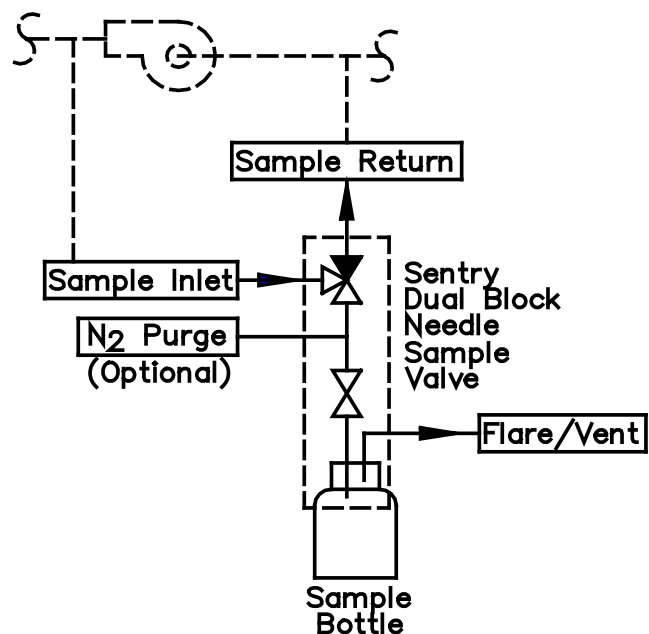
Features

- Non-coring needle design improves septum integrity
- Spring-loaded throttle valve helps to protect against over filling
- Separate fluid and vent needles for reliable venting of vapors
- Unique double block valve configuration for added safety
- Simple replacement of needle assembly without disconnecting piping/tubing
- Optional purge connection for cleaning of needles to assure representative sample



Description

The Sentry MVD closed loop sample valve is specifically designed to collect process samples without emissions to the atmosphere or exposure to the operator. The double block valve configuration assures an extra degree of safety for operators. Dead volume is minimized with its unique design. The speed loop guarantees representative sample availability at the valve at all times.



CLOSED LOOP PROCESS SAMPLE VALVE

SAMPLE VALVES

Customer Interface Connection	Valve Material	Pressure/Temperature
1/4" Compression	316 SS / Viton® / Teflon® / Kalrez®	1000 psi @ 250° F (70 bar @ 122° C)
3/8" Compression	316 SS / Viton® / Teflon® / Kalrez®	1000 psi @ 250° F (70 bar @ 122° C)
1/2" Compression	316 SS / Viton® / Teflon® / Kalrez®	1000 psi @ 250° F (70 bar @ 122° C)

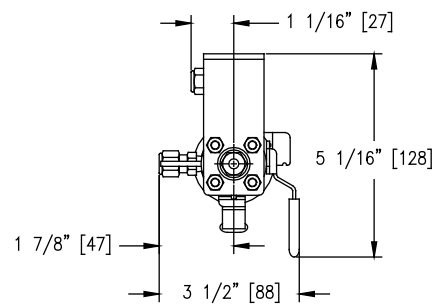
Kalrez, Teflon and Viton are registered trademarks of E.I. Du Pont de Nemours and Company.

MODEL MVD OPTIONS

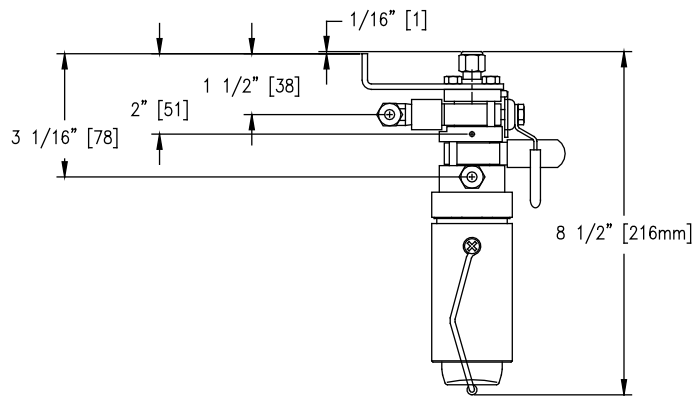
Nitrogen Purge	Fill Needle (O.D.)	Vent Needle (O.D.)	Bottle Types	Bottle Sizes	Septum Type
Optional	0.065"	0.065"	Boston Round	2 oz. (60 ml)	Teflon® coated Silicone
	0.083"	0.083"	Schott	4 oz. (118 ml)	
	0.110"	0.110"		8 oz. (237 ml)	
	3/16" tube stub	9/64" orifice		16 oz. (473 ml)	
				32 oz. (946 ml)	

Options: Valves may be panel-mounted for floor standing or wall-mounted installations. Special elastomers are available. NPT, SW, and metric connections are available. 1/2" valved units are available. Consult factory for more details.

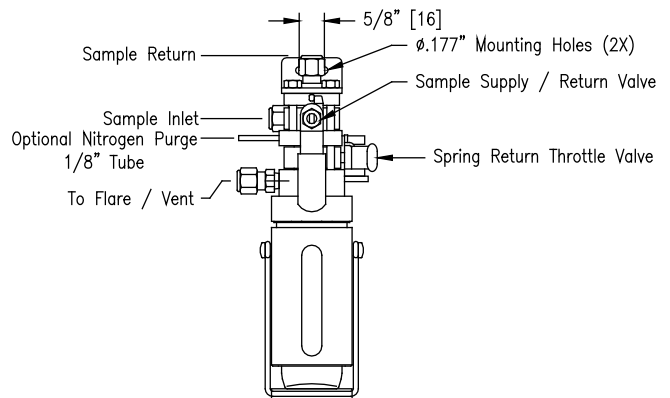
Top View



Side View



Front View

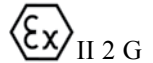


WARNING

It is solely the responsibility of the end-user, through its own analysis and testing, to select products and materials suitable for their specific application requirements, ensure they are properly installed, safely applied, properly maintained, and limit their use to their intended purpose. Improper selection, installation, or use may result in personal injury or property damage.



European Authorized Rep:
OBELIS
Bd. General Wahis 53-1030
Brussels Belgium



SENTRY EQUIPMENT CORP

966 Blue Ribbon Circle North
Oconomowoc, WI 53066 USA
Tel: 262-567-7256 • Fax: 262-567-4523

E-mail:
sales@sentry-equip.com

Website:
www.sentry-equip.com



For further information, contact: