



MODEL MGC GasGrab™ Gas Concentration Sampling System

***Safe and Representative Sampling
of Toxic Gases Such as H₂S***



Features

- Designed to minimize fugitive toxic gas emissions, reducing exposure risk to the environment and operator
- Used in conjunction with hand-held gas measurement systems such as Dräger-Tubes and RAE gas detection tubes (Dräger Safety and RAE Systems' products are not sold by Sentry)
- Provides a representative sample at constant atmospheric pressure as required during the testing cycle

Options

- Enclosures
- Heaters
- Galvanized steel pipe stand

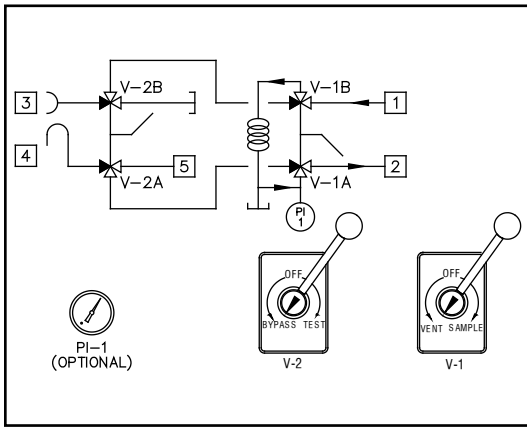
Description

Sampling hazardous or toxic chemicals requires that the sample be representative, obtained without risk to personnel, and extracted without leakage to the environment. Sentry's Model MGC GasGrab™ sampling system allows the operator to extract a representative sample and use a hand-held device (such as Draeger-Tubes® or RAE Systems® gas detection tubes) to test concentrations, while protecting the operator and environment from contact with the dangerous vapors.

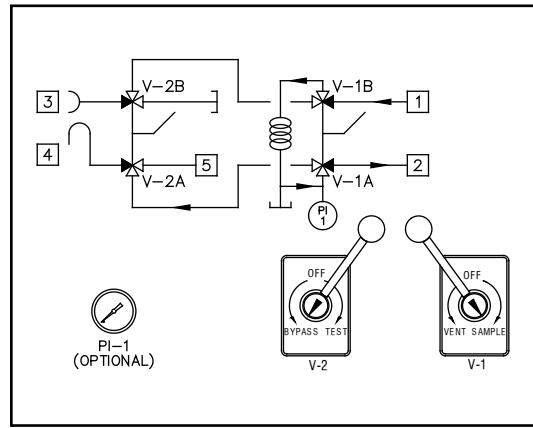
The GasGrab™ sample panel collects a volume of sample gas and reduces its pressure to atmospheric pressure. Then, a measurement system is used to measure gas concentration. The gas detection tubes require that the gas remain at atmospheric pressure throughout the testing cycle, and the Sentry GasGrab™ sampling system maintains constant pressure of the collected sample throughout the sample extraction process.

The GasGrab™ sampling system utilizes tandem 3-way valve switching assemblies, allowing the sampler to be flushed or purged to remove old material, and providing a contemporary, representative sample.

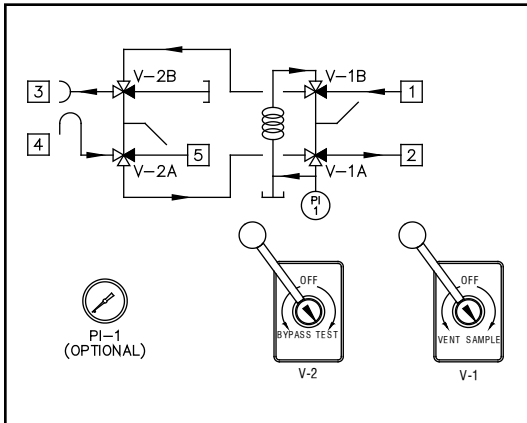
GASGRAB™ TECHNICAL DATA



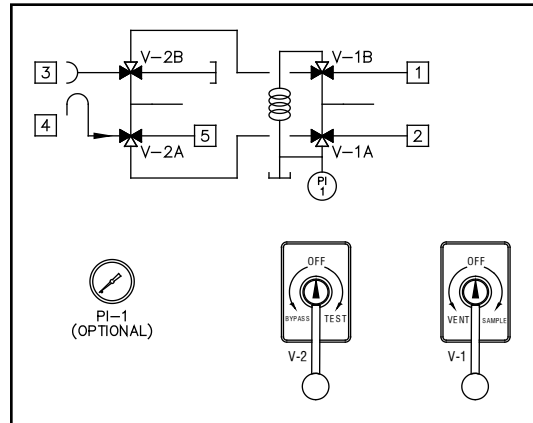
1 - CONTEMPORIZING MODE



2 - DEPRESSURIZATION MODE



3 - TUBE TEST MODE



4 - OFF MODE

The sample panel is provided with a vent connection. For satisfactory operation, this vent must be connected to atmospheric conditions. This is important for accurate measurement of gas concentrations with devices that utilize standard volumes of gas for their analysis.

TYPICAL APPLICATIONS

- | | | | |
|--|--|--|--|
| <ul style="list-style-type: none"> Acetone Ammonia Benzene Carbon Dioxide (CO₂) Carbon Monoxide (CO) Carbon Tetrachloride Chlorine | <ul style="list-style-type: none"> Cyanide Hexane Hydrazine Hydrogen Sulfide (H₂S) Mercaptan Mercury Vapor Natural Gas | <ul style="list-style-type: none"> Nitrous Fumes Oil Mist Oxygen Ozone Pentane Petroleum Hydrocarbons (n-Octane) | <ul style="list-style-type: none"> Sulphur Dioxide Toluene Trichloroethane Trichloroethylene Water Vapor And many more |
|--|--|--|--|

Draeger-Tubes is a registered trademark of Draegerwerk Ag & Co.
RAE Systems is a registered trademark of RAE Systems Inc.

⚠ WARNING

It is solely the responsibility of the end-user, through its own analysis and testing, to select products and materials suitable for their specific application requirements, ensure they are properly installed, safely applied, properly maintained, and limit their use to their intended purpose. Improper selection, installation, or use may result in personal injury or property damage.



SENTRY EQUIPMENT CORP

966 Blue Ribbon Circle North
Oconomowoc, WI 53066 USA
Tel: 262-567-7256 • Fax: 262-567-4523

E-mail:
sales@sentry-equip.com

Website:
www.sentry-equip.com



For further information, contact: