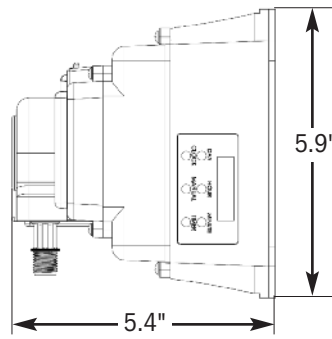
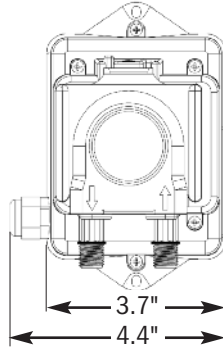


ECON T SERIES SPECIFICATIONS

STENNER PUMPS



SHIPPING WEIGHT 4 lbs (1.8 kg)



- 25 psi models tested and certified by Intertek to Standard ANSI/NSF 50, Equipment for Swimming Pools, Spas, Hot Tubs, and Other Recreational Water Facilities.



Output Control

24-hr programmable clock; 7 day, 24 event timer

Reproducibility ±5%

Maximum Working Pressure

25 psi (1.7 bar); 80 psi (5.5)

Refer to Output chart for detail.

Maximum Operating Temperature 104°F (40°C)

Maximum Suction Lift

25 ft (7.6 m) vertical lift, based on water

Motor Type 24 VDC, brushed

Approximate Shaft RPM 9, 18 or 40

Duty Cycle Continuous

Motor Voltage (Amp Draw) 120V 60Hz (0.17)

Power Cord Type STP-2W

Power Cord Plug End

Wall adapter power supply 100-120V, 60Hz, 0.75A input, two prong, polarized 24VDC, 1.25A, Class II output

Classification Indoor/Outdoor

MATERIALS OF CONSTRUCTION

All Housings Polycarbonate

Pump Tube & Check Valve Duckbill

Santoprene™, FDA approved

Pump Head Rollers Polyethylene

Suction/Discharge Tubing, Ferrules

Polyethylene, FDA approved

Tube Fittings Polypropylene, NSF listed

Check Valve Fittings

Type 1 Rigid PVC, NSF listed

Connecting Nuts PP or Type 1 Rigid PVC

Suction Line Strainer PP or Type 1 Rigid PVC

body with Type 1 Rigid PVC cap, NSF listed; ceramic weight

All Fasteners Stainless steel

* Santoprene™ is a registered trademark of Exxon Mobil Corporation.

ACCESSORY KIT SHIPPED WITH EACH PUMP

3 connecting nuts 1/4"

3 ferrules 1/4"

1 injection check valve 80 psi (5.5 bar)
OR 1 injection fitting 25 psi (1.7 bar)

1 weighted suction line strainer 1/4"

1 20' roll suction/discharge tubing
1/4" white

1 additional pump tube

1 manual

OUTPUT

Item Number Prefix	Pump Tube	Roller Assembly	Gallons per Day	Gallons per Hour	Ounces per Hour	Ounces per Minute	Pressure psi	Liters per Day	Liters per Hour	Milliliters per Hour	Milliliters per Minute	Pressure bar
E10T1F*	F	White	0.6	0.02	3.0	0.05	80	2.2	0.09	90.0	1.50	5.5
E10T2F*	F	White	1.3	0.05	6.6	0.11	80	4.8	0.20	198.0	3.30	5.5
E20T4F*	F	White	3.4	0.14	18.0	0.30	80	13.1	0.54	544.8	9.08	5.5
E20T4G*	G	Black	12.3	0.51	65.4	1.09	80	46.5	1.94	1937.4	32.29	5.5
E20T4H*	H	Black	21.7	0.90	115.2	1.92	80	82.0	3.41	3416.4	56.94	5.5
E10T1A	A	White	2.5	0.10	13.2	0.22	25	9.5	0.39	396.0	6.60	1.7
E10T2A	A	White	5.0	0.21	26.4	0.44	25	18.9	0.79	786.0	13.10	1.7
E10T2B	B	White	8.5	0.35	45.6	0.76	25	32.2	1.34	1338.0	22.30	1.7
E10T2C	C	White	15.0	0.63	79.8	1.33	25	56.8	2.37	2364.0	39.40	1.7
Approximate Maximum Outputs @ 50/60Hz												

* Injection check valve included with pumps rated 80 psi (5.5 bar)



NOTICE: The information within this chart is solely intended for use as a guide. The output data is an approximation based on pumping water under a controlled testing environment. Many variables can affect the output of the pump. Stenner Pump Company recommends that all metering pumps undergo field calibration by means of analytical testing to confirm their outputs.

This information is not intended for specific application purposes. Stenner Pump Company reserves the right to make changes to prices, products, and specifications at any time without prior notice.

FSPCET 0116



STENNER PUMP COMPANY

Jacksonville, Florida USA

www.stenner.com

© Stenner Pump Company All Rights Reserved