



MODEL RPG Automatic Sampler

**For Free-flowing and
Non Free-flowing
Bulk Solids Material**



Features

- Eliminates product degradation
- Versatile design installs in spouts, hoppers or transfer chutes
- Product contact materials are 304 SS and Teflon® seals

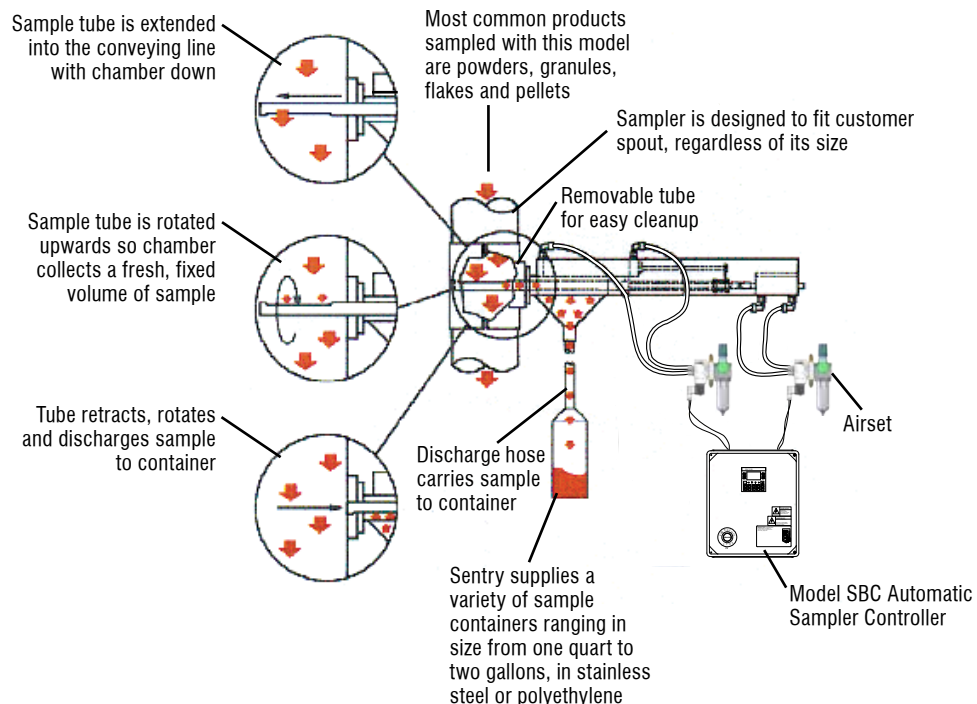
Options

- Available in stroke lengths from 4-10" (10-25.4 cm).
- Nickel-impregnated Teflon® ensures a non-stick surface
- Hardening treatments protect against wear and abrasion

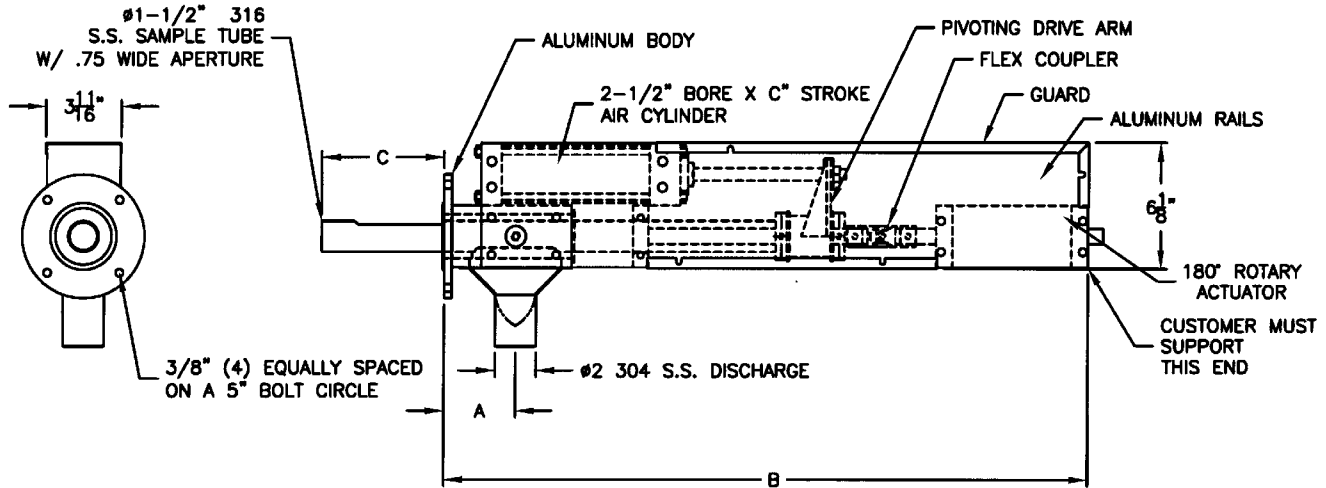
Description

The Model RPG is designed for automatic sampling of bulk solids such as granules, powders, flakes and pellets from spouts, hoppers or transfer chutes.

The Model RPG features an air cylinder and rotary actuator. The air cylinder pushes the sample tube into the process line. Once fully extended, the rotary actuator rotates the sample chamber into the upright position. The air cylinder then retracts the sample tube. The rotary actuator rotates the sample chamber to the down position and discharges the captured sample.



MODEL RPG TECHNICAL DATA



MODEL RPG*				
	4" STROKE	6" STROKE	8" STROKE	10" STROKE
A	2 1/2"	3 1/2"	4 1/2"	5 1/2"
B	27 9/16"	31 9/16"	35 9/16"	39 9/16"
C	4"	6"	8"	10"
D	4 3/8"	5 3/8"	6 3/8"	7 3/8"

* MODEL RPG MEASUREMENTS VARY, CONTACT FACTORY FOR ADDITIONAL AND/OR DIFFERENT STROKE DIMENSIONS IF REQUIRED

SPECIFICATIONS

Basic Electrical Requirements	115/230 VAC, single phase, 50/60 Hz; control box fused to 2 amps
Air Requirements	80 psig, 1.5 ft ³ /cycle (5.5 barg, 42.5 l/cycle)
Quantity of Sample	determined by flow rate, aperture size and time in line
Product Size	10 μm-1/4" (6 mm); larger sizes upon request
Recommended Location of Sampler	vertical gravity lines
Suggested Connection to Collection Point	rigid metal or flexible tubing to a container or indexing cabinet
Materials of Construction	aluminum housing and rails; 316 SS sample tube; 304 SS discharge; acetal spacers and urethane wiper seal
Temperature Range	up to 250°F (121°C)

NOTE: Teflon is a registered trademark of E. I. Du Pont de Nemours and Company.

WARNING

It is solely the responsibility of the end-user, through its own analysis and testing, to select products and materials suitable for their specific application requirements, ensure they are properly installed, safely applied, properly maintained, and limit their use to their intended purpose. Improper selection, installation, or use may result in personal injury or property damage.



SENTRY EQUIPMENT CORP

966 Blue Ribbon Circle North
Oconomowoc, WI 53066 USA
Tel: 262-567-7256 • Fax: 262-567-4523

E-mail:
sales@sentry-equip.com

Website:
www.sentry-equip.com



For further information, contact: