



# MODEL A Automatic Sampler

**For Free-Flowing  
Bulk Solids Material**



**MODEL A AUTOMATIC SAMPLER**

## Features

- Compact, easy to mount
- Low maintenance
- Product contact materials are 304 stainless steel
- Includes a sampler, air filter, regulator, pressure gauge, and solenoid valve

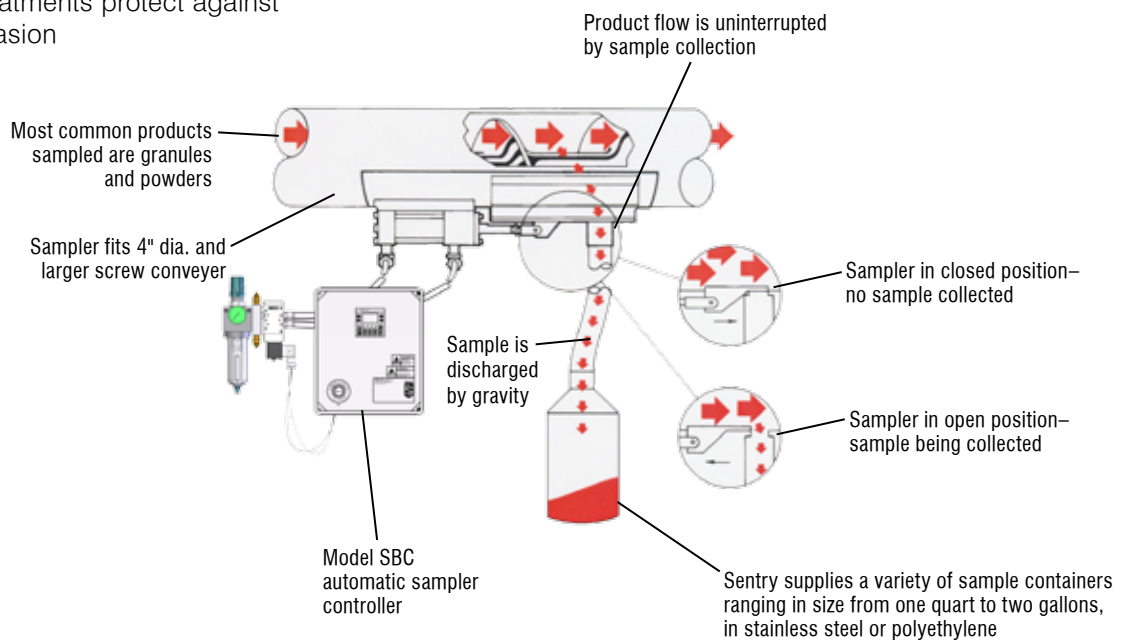
## Options

- Custom mounting adapters
- Custom slide construction
- Custom construction materials
- Nickel-impregnated Teflon® ensures a non-stick surface
- Hardening treatments protect against wear and abrasion

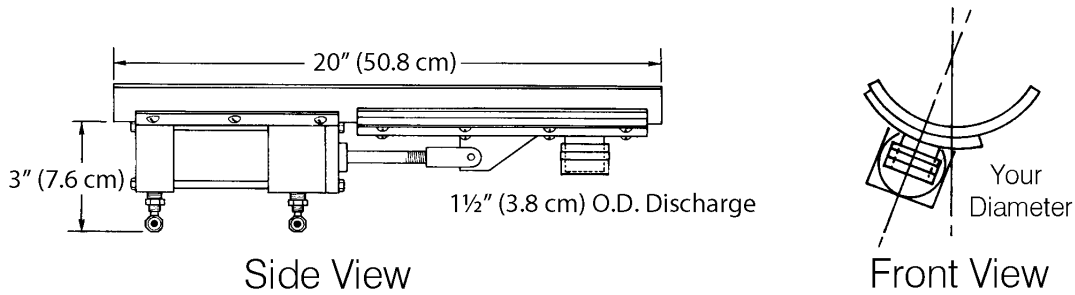
## Description

The Model A sampler automates sampling of free-flowing materials such as granules, coarse powders, flakes and pellets from screw or drag conveyors.

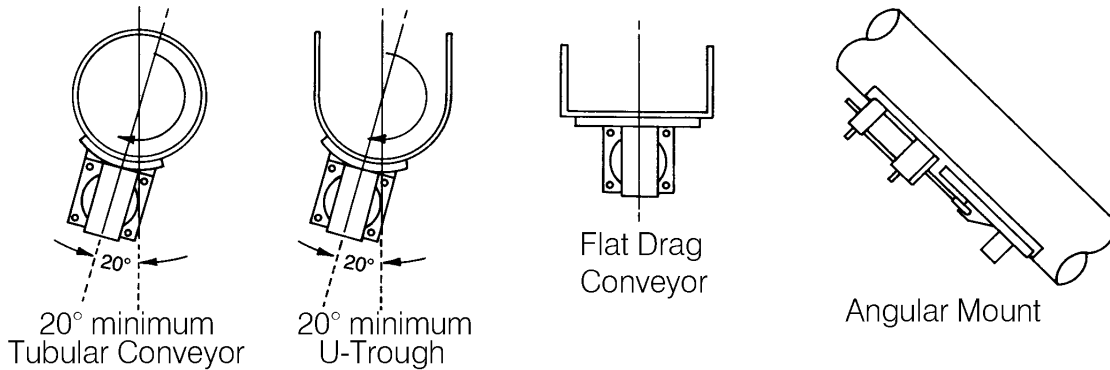
The Sentry Model A takes a sample when a solenoid-controlled air cylinder opens a sliding gate on the sampler, then closes the gate.



## MODEL A TECHNICAL DATA



### Various Mounting Options



## SPECIFICATIONS

Basic Electrical Requirements for Control	115/230 VAC, single phase, 60 Hz; control box fused to 2 amps
Air Requirements	80 psig, 1.5 ft <sup>3</sup> /cycle (5.5 barg, 42.5 l/cycle)
Quantity of Sample	determined by flow rate, aperture size and retract time
Product Size	10 μm - 1/4" (6 mm); larger sizes upon request
Recommended Location of Sampler	screw conveyors or angled gravity chutes
Suggested Connection to Collection Point	rigid metal or flexible tubing to a container or indexing cabinet
Materials of Construction	304 stainless steel; acetal spacers and urethane wiper seal
Temperature Range	up to 250°F (121°C)

**NOTE:** Teflon is a registered trademark of E. I. Du Pont de Nemours and Company.

### WARNING

It is solely the responsibility of the end-user, through its own analysis and testing, to select products and materials suitable for their specific application requirements, ensure they are properly installed, safely applied, properly maintained, and limit their use to their intended purpose. Improper selection, installation, or use may result in personal injury or property damage.



### SENTRY EQUIPMENT CORP

966 Blue Ribbon Circle North  
Oconomowoc, WI 53066 USA  
Tel: 262-567-7256 • Fax: 262-567-4523

**E-mail:**  
sales@sentry-equip.com

**Website:**  
www.sentry-equip.com



For further information, contact: