



MODEL MFV FIXED VOLUME SAMPLE PANEL

**“Single Action” Sampling for
Safety and Simplicity**



FIXED VOLUME SAMPLE PANEL

Features

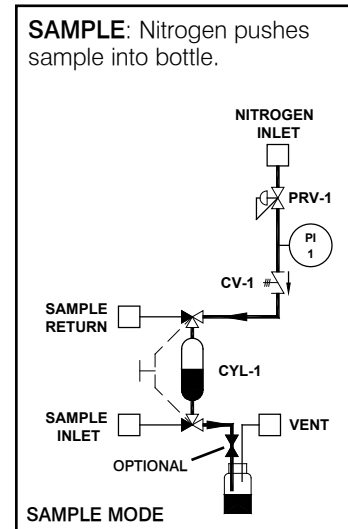
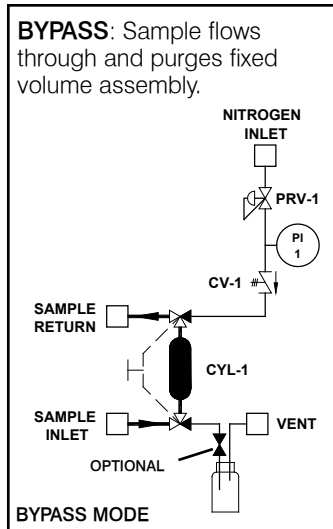
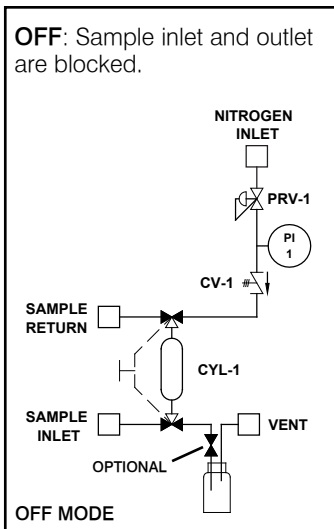
- Eliminates over filling
- Interchangeable fixed volume and needle assemblies for operational flexibility
- Optional spring-loaded valve provides double block safety
- Incorporates Sentry’s low emission needle sampler design:
 - Patented non-coring, side-discharge needle improves septum integrity
 - Low dead volume sampling valve ensures representative sample
 - Interchangeable needle assembly lets you vary needle/tube stub sizes as needed

Description

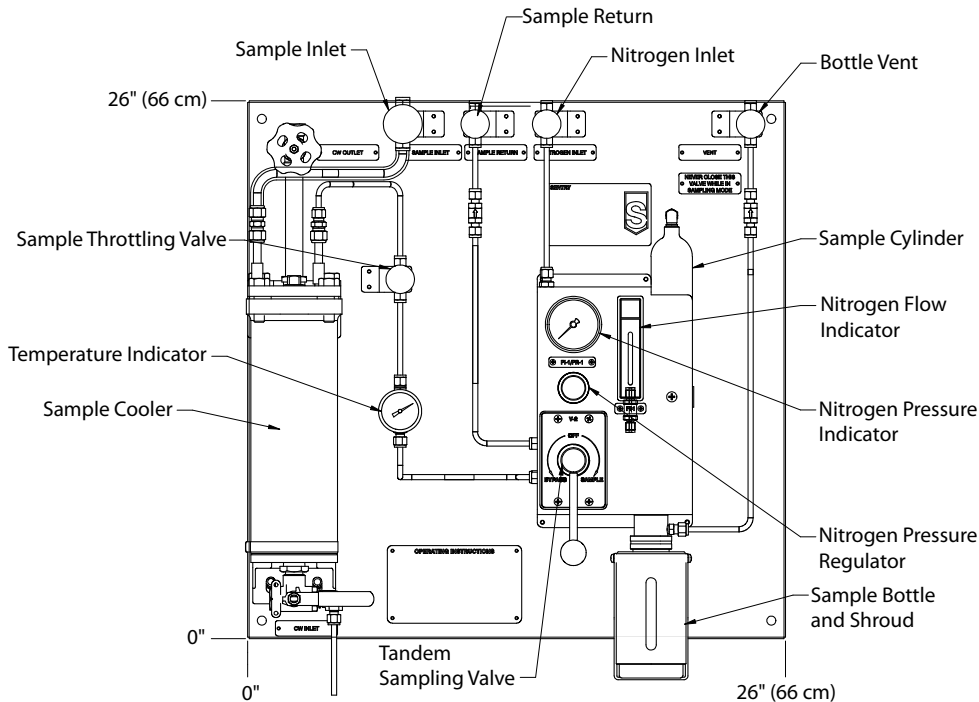
The Sentry fixed volume sampler provides a representative and repeatable fixed volume sample with a single operator that provides multiple functions with each manipulation of the valve handle. Two zero dead volume three-way valves are controlled via an external gear box that initiates multiple valve positions with one lever.

This design provides for safe, simple and accurate sampling. Compared to other samplers, the design also allows for quick change of the fixed volume assembly to other volume sizes without repiping or changing the sampling valve.

An optional spring-loaded valve provides for double block safety if required.



TECHNICAL DATA



FIXED VOLUME SAMPLER OPTIONS

Sampler Size

Switching Valve	Inlet/Outlet Connections+
1/4" (6 mm)	1/4" (6 mm)
3/8" (10 mm)	3/8" (10 mm)
3/8" (10 mm)	1/2" (15 mm)

+ Standard end connections are compression. Consult factory for other options.

Bottle Size & Fixed Volume

Bottle Size*	Fixed Volume
2 oz (60 ml)	1.6 oz (40 ml)
4 oz (118 ml)	3.4 oz (100 ml)
8 oz (237 ml)	6.8 oz (200 ml)
16 oz (473 ml)	13.5 oz (400 ml)
32 oz (946 ml)	23.7 oz (700 ml)

* Bottle size must be equal to or greater than fixed volume.

Sampler Interface

Needle Assembly (O.D.)	
Fill	Vent
0.065"	0.065"
0.065"	0.083"
0.083"	0.083"
0.110"	0.083"
0.083"	0.110"
Tube Stub Assembly (O.D.)	
0.188"	0.140"

SPECIFICATIONS

Wetted Materials	316 Stainless Steel; Viton®; Kalrez®; EPDM
Shroud	Nylon (when applicable)
Septum Type	Teflon® coated Silicone
Pressure Rating	1800 psi @ 300°F (124 bar @ 148°C)
Mounting	Galvanized steel pipestand

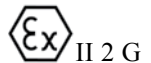
NOTE: Kalrez, Teflon, and Viton are registered trademarks of E. I. Du Pont de Nemours and Company..

WARNING

It is solely the responsibility of the end-user, through its own analysis and testing, to select products and materials suitable for their specific application requirements, ensure they are properly installed, safely applied, properly maintained, and limit their use to their intended purpose. Improper selection, installation, or use may result in personal injury or property damage.



European Authorized Rep:
OBELIS
Bd. General Wahis 53-1030
Brussels Belgium



SENTRY EQUIPMENT CORP

966 Blue Ribbon Circle North
Oconomowoc, WI 53066 USA
Tel: 262-567-7256 • Fax: 262-567-4523

E-mail:
sales@sentry-equip.com

Website:
www.sentry-equip.com



For further information, contact: