



# ISOLOK<sup>®</sup> M4KSA SAMPLER

## Automatic Sampler

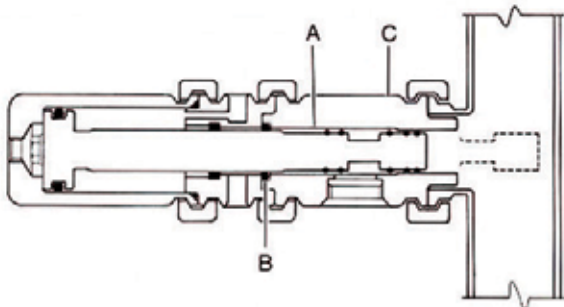
**Accurate Sanitary Samples  
Produced with Model M4KSA**



ISOLOK<sup>®</sup> SANITARY MODEL M4KSA SAMPLER

### Features

- A:** Small body bore diameter reduces wetted area inside the sampler and improves cleanability
- B:** Front rod seal is a sanitary O-ring design—easy to clean and replace (when necessary)
- C:** Outside contour of the body, head, and barrel are rounded for easy cleaning



FEATURES UNIQUE  
TO MODEL M4KSA

### Description

The ISOLOK<sup>®</sup> Model M4KSA is designed for sampling sanitary products such as Grade A or industrial grade raw or processed milk, whey, and other food or pharmaceutical products. The M4KSA features ferrule clamp mounting suitable to any line size, quick disconnect to expose all wetted parts for cleaning, FDA and 3-A recognized seal materials, and a built-in mount for 24 mm thread sample bottles. The ISOLOK<sup>®</sup> M4KSA conforms to 3-A Standard 59-00.

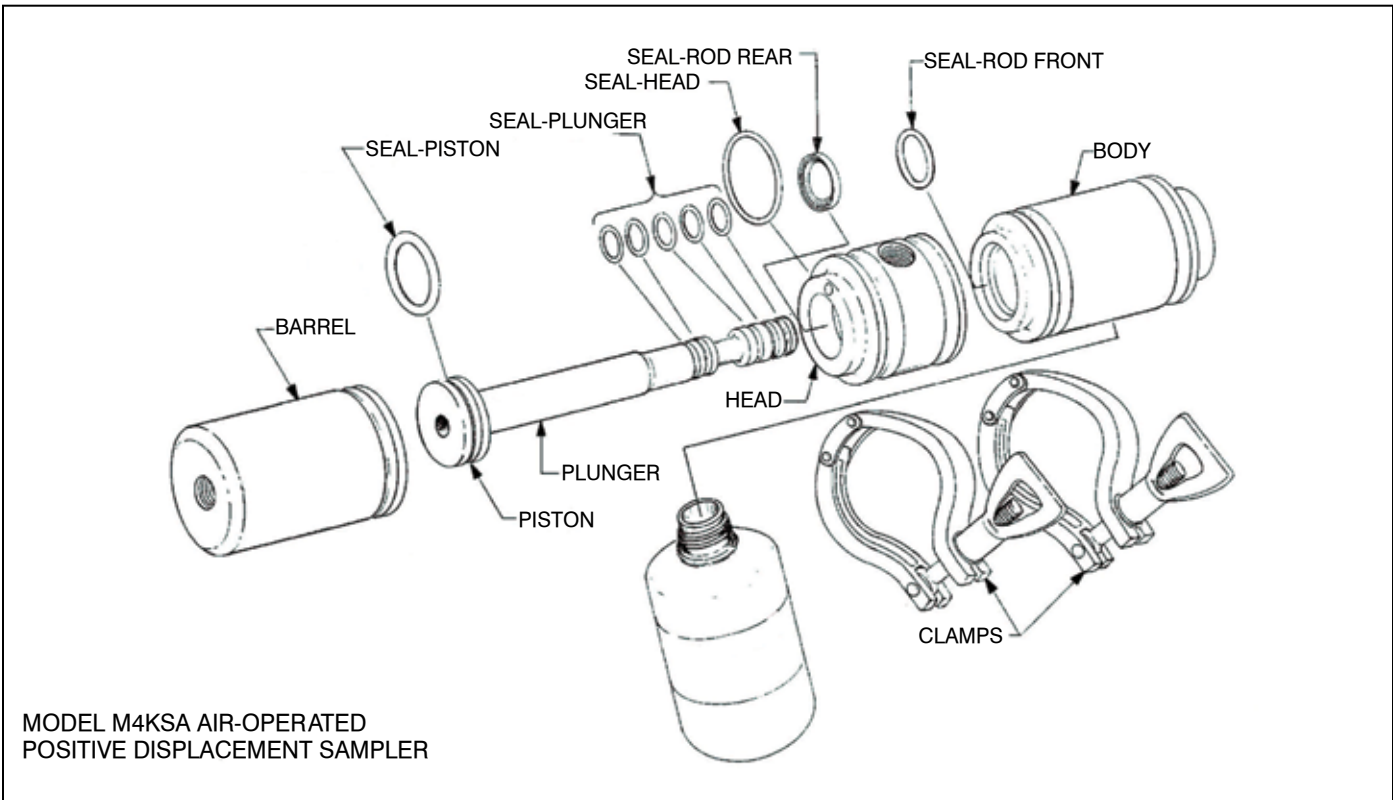
The M4KSA features all 300 series stainless steel construction, precision sample delivery with only one moving part, and excellent cleanability. Sampler and controls are suitable for receiving dock or in-plant installations on pressure or suction lines where it withdraws accurate composite samples for butterfat or other analysis.

Users of the Model M4KSA report major savings in required agitation time as well as the elimination of manual sampling from receiving tanks.



Conforms to 3-A Sanitary Standards  
through Third Party Verification (TPV)

## ISOLOK<sup>®</sup> M4KSA TECHNICAL DATA



### SPECIFICATIONS

Sample Volume per Cycle	available in 1, 2, or 3 cc sample volume
Maximum Cycle Frequency	12 strokes/minute
Line Mounting Options	Tri-clamp
Materials of Construction (wetted components)	316 stainless steel, Buna-N
Sample Temperature Range	-275°-575° F (-170°-302°C) depending on seal material & duty cycle
Ambient Operating Temperature Range	-5° - 131° F (-20° - 55° C) depending on seal material
Compressed Air Requirement	2 SCFM @ 90 psi (.05 m <sup>3</sup> /min @ 6.2 bar)
Overall Dimensions, length x diameter	8.25" x 3" (21 x 7.6 cm)
Net weight, not including controller or accessories	6.7 lb (3 kg)

**▲WARNING**

It is solely the responsibility of the end-user, through its own analysis and testing, to select products and materials suitable for their specific application requirements, ensure they are properly installed, safely applied, properly maintained, and limit their use to their intended purpose. Improper selection, installation, or use may result in personal injury or property damage.



### SENTRY EQUIPMENT CORP

966 Blue Ribbon Circle North  
Oconomowoc, WI 53066 USA  
Tel: 262-567-7256 • Fax: 262-567-4523

**E-mail:**  
sales@sentry-equip.com

**Website:**  
www.sentry-equip.com



For further information, contact: