

VTF By-Pass Feeders

By-Pass Feeders

Neptune By-Pass Feeders are a convenient method of introducing treatment chemicals into closed circulating water systems.

Neptune By-Pass Feeders are ideal for treating hot and chilled water circulating loops used in heating and air conditioning systems, process heating and cooling or large engine water jackets.

Neptune offers two styles of By-Pass Feeders: A vertical style with dish bottom in and a vertical style with dish bottom out.

Filters are available for system cleanup and monitoring.

A high pressure cap rated to 300 psi is now standard. The first closure improvement in over two decades.

Request Bulletin DBF-09 for DBF & DBFC Feeders



**BY-PASS FEEDERS
- VERTICAL STYLE**

**DISH BOTTOM IN
MODEL VTF-10HP**



Caps



OLD STYLE CAPS

Three lug, 1/3 turn design rated to 200 psi.

NEPTUNE HIGH PRESSURE CAP

Coarse thread, 2 1/2 turn design rated to 300 psi.

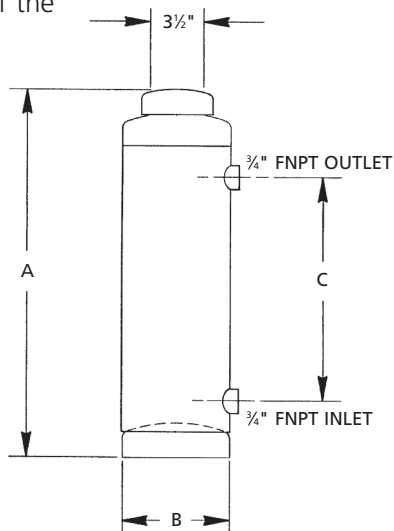
All Neptune By-Pass Feeders offer the new style, quick opening, high pressure closure.

These closures offer better sealing with less force and eliminate the need for tools. Design binds cap tightly when under pressure making it necessary to bleed pressure from tank before removing cap.

Underside of cap which contacts liquid is epoxy-coated.

Vertical Style - Dish Bottom In

The "VTF" series is the most popular and economical of the by-pass feeders available from Neptune. The series uses the same wide mouth **easy close** caps described in the "Dish Bottom Out" style. Optional Filter Bag Kit may be added.



Specifications - All Models

- Working pressure: to 300 PSI max. at 200°F
- Tank shell:

2 gallon unit – 11 gauge steel	10 gallon unit – 10 gauge steel
5 gallon unit – 10 gauge steel	12 gallon unit – 10 gauge steel
- Tank heads:

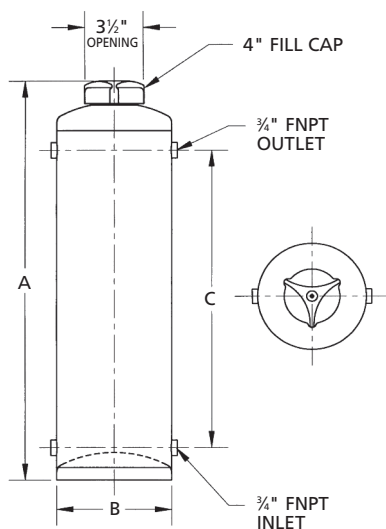
2 gallon unit – 11 gauge steel	10 gallon unit – 9 gauge steel
5 gallon unit – 9 gauge steel	12 gallon unit – 9 gauge steel
- Cap: cast iron with Buna N "□" ring. Wide mouth, easy open/easy close.

Standard Models

MODEL NUMBER	FILTER	APPROX. CAPACITY	MAX. PRESSURE*	A	B	C	SHIP WEIGHT
VTF-2HP	Optional†	2 Gallons	300 psi	21¼"	6"	12¾"	23 lbs.
VTF-5HP	Optional†	5 Gallons	300 psi	19¾"	10"	10½"	37 lbs.
VTF-10HP	Optional†	10 Gallons	300 psi	35¾"	10"	26½"	60 lbs.
VTF-12HP	N/A	12 Gallons	300 psi	42"	10"	32¾"	68 lbs.

*At 200°F Max.

† Filter support not included with base unit. Purchase optional filter bag kit.



Four Fitting Models

MODEL NUMBER	APPROX. CAPACITY	MAX. PRESSURE*	A	B	C	SHIP WEIGHT
VTF-2X4HP†	2 Gallons	300 psi	21¼"	6"	12¾"	23 lbs.
VTF-5X4HP†	5 Gallons	300 psi	19¾"	10"	10½"	37 lbs.

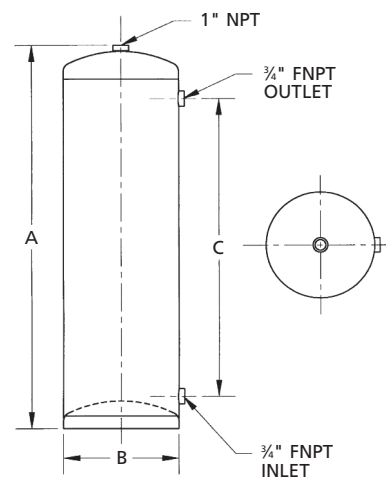
*At 200°F Max.

† No filter included with base unit. Purchase optional filter bag kit.

Feeder Bodies

MODEL NUMBER	APPROX. CAPACITY	MAX. PRESSURE*	A	B	C	SHIP WEIGHT
VTF-2-1	2 Gallons	300 psi	20"	6"	12¾"	23 lbs.
VTF-5-1	5 Gallons	300 psi	18"	10"	10½"	37 lbs.

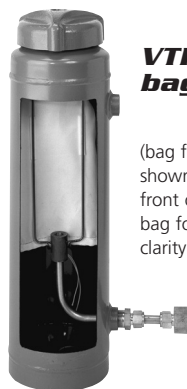
*At 200°F Max.



Filter Bag Kits

Available for all "VTF" and "DBF" models up to 10 gallons. Kit includes bag, bag frame, tubing and connectors. The addition of a filter bag allows the By-Pass Feeder to function simultaneously as a side stream filter. (A clean bag is rated at approximately 30 microns.) Cannot be used with DBFC models.

Request Bulletin DBF-09 for DBF & DBFC Feeders



VTF-2HP with filter bag kit installed

(bag frame shown in front of bag for clarity only)

MODEL	FOR USE ON
FBK-2	VTF-2HP, DBF-2HP
FBK-5	VTF-5HP, DBF-5HP
FBK-10	VTF-10HP, DBF-10HP



P.O. Box 247 • Lansdale, PA 19446-0247
 Tel: 215-699-8700 • Fax: 215-699-0370
 Toll-Free Tel: 1-888-3NEPTUNE (1-888-363-7886)
 Toll-Free Fax: 1-800-255-4017
 Web Site: <http://www.neptune1.com>
 E-mail: pump@neptune1.com

SOLD BY:

