

Tubular Diaphragm Pumps

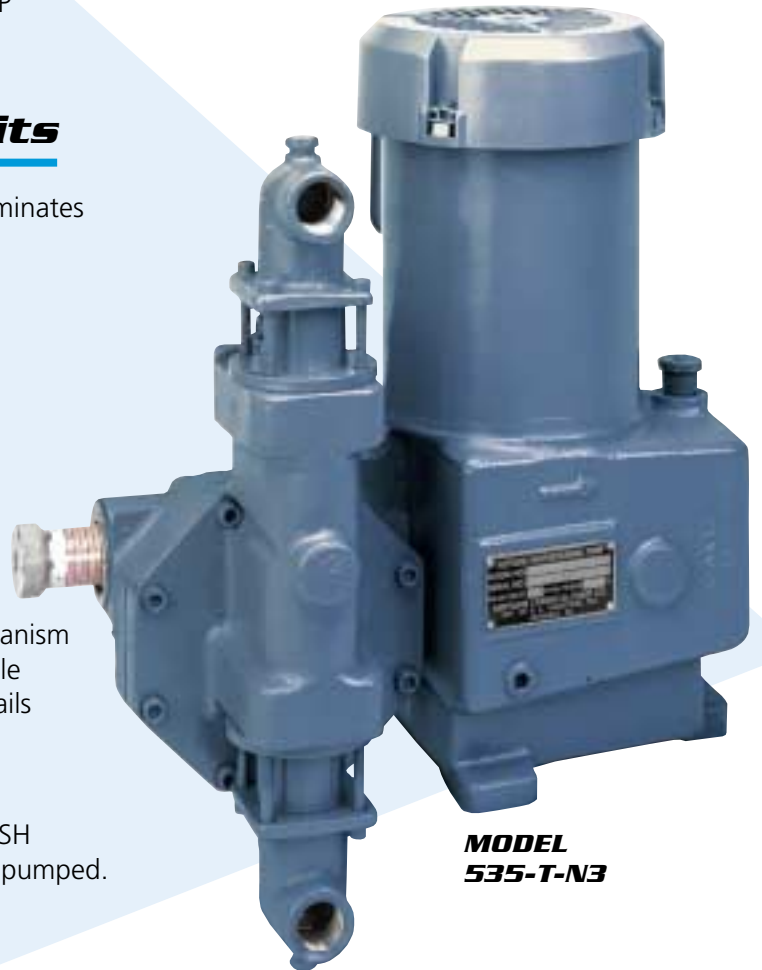
Special Application Pump

Neptune Series 500 tubular diaphragm pumps are engineered for viscous fluids up to 20,000 cP and for medium slurries up to 10% solids.

Design Features/Benefits

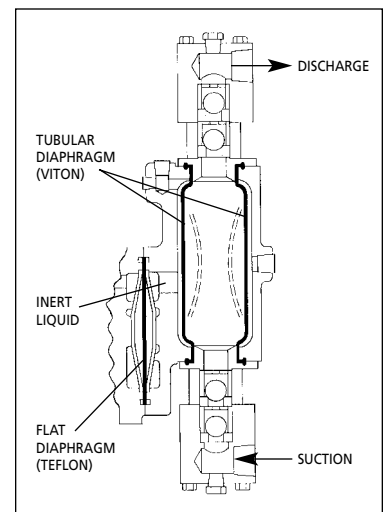
- No-clog design. Straight-thru flow pattern eliminates pockets where slurries can settle.
- Easily handles high viscosity liquids.
- Double diaphragm is standard.
- Capacities to 80 gph (302 lph).
- Control options include electric or pneumatic stroke control and variable speed drives.
- Standard units with double ball suction and discharge valves. Single ball suction valve is optional.
- Variable Oil By-pass™ stroke adjustment mechanism provides better valve performance than variable linkage designs. (See Bulletin DP-1100 for details on “How It Works”.)
- Viton® elastomer withstands most chemicals.
- Elastomer memory and tube shape reduce NPSH requirements, allow more viscous fluids to be pumped.
- Spring-loaded discharge (Models N3 and N7 only). External back pressure valve is not required.

Neptune
CHEMICAL PUMP CO., INC.



**MODEL
535-T-N3**

CUTAWAY VIEW



Materials of Construction

CODE	HEAD	VALVE BODY	VALVE CHECK	DIAPHRAGM
N3	316SS	316SS	316SS	Viton®
N5	PVC*	PVC*	Glass**	Viton®
N7	316SS	316SS	***	Viton®

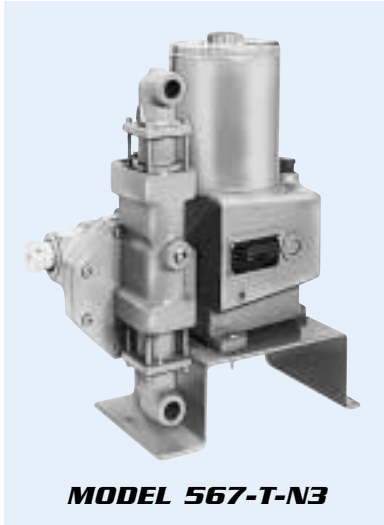
* PVC head pumps are satisfactory for temperatures to 125°F/52°C.

** Special materials available for services not compatible with glass.

*** Special slurry construction features—soft ball checks.

Neptune Series 500 Tubular Diaphragm Pumps

SELECTION CHART

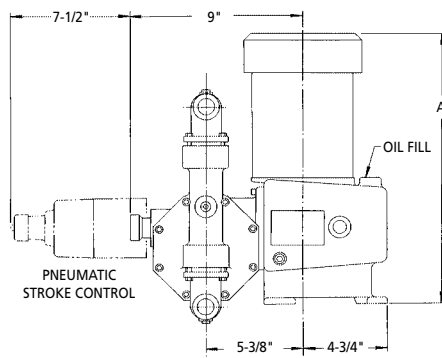


MODEL 567-T-N3

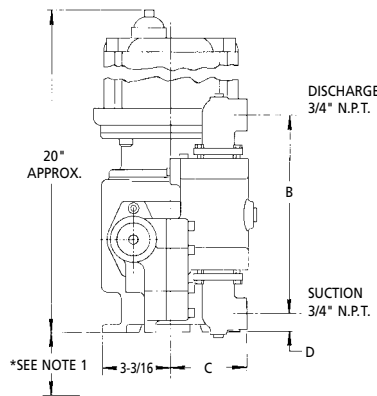
- Viton® tube and O-rings are standard (*EPDM is available*).
- Gearbox, drive train and motor options are identical to Series 500 "dia-PUMP."

DIMENSIONS

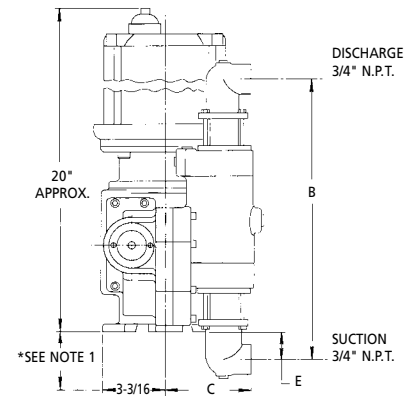
NOTE: Specifications subject to change without notice.



Standard Motor All Models



**Single Ball Models 515-547†
with Explosion-Proof Motor**



**Single Ball Models 562-567†
Double Ball All Models**

MODELS		A	B	B	C	D	E	E
			SINGLE BALL	DOUBLE BALL		SINGLE BALL	SINGLE BALL	DOUBLE BALL
515-T TO 547-T	N3/N7	14-1/8	9-3/8	11-3/4	3-1/2	1/2	—	1/4
515-T TO 547-T	N5	14-1/8	9-3/8	11-3/4	3-1/2	1/2	—	1/4
562-T TO 567-T	N3/N7	14-3/8	11-3/8	14	4-1/4	—	1/8	1-1/2

*NOTE 1: All pumps supplied on 4-in. riser base.

†Double ball is standard.

MODELS 515-547

(Standard Motor: 1/3 HP-single phase-115VAC-60 cycles-TEFC)

MODEL NUMBER	MATERIALS OF CONSTRUCTION	CAPACITY GPH (LPH) @ 100 PSI	MAXIMUM PRESSURE PSI (KG/CM ²)	PISTON DIAMETER	STROKES PER MINUTE	SHIPPING WEIGHT LBS.
515-T-N3 515-T-N5 515-T-N7	316SS PVC 316SS	3.0 (11.3)	300 (22) 100 (8) 100 (8)	0.500	117	80
520-T-N3 520-T-N5 520-T-N7	316SS PVC 316SS	2.0 (7.5)	300 (22) 100 (8) 100 (8)	0.687	37	80
522-T-N3 522-T-N5 522-T-N7	316SS PVC 316SS	4.0 (15.1)	300 (22) 100 (8) 100 (8)	0.687	72	80
525-T-N3 525-T-N5 525-T-N7	316SS PVC 316SS	7.0 (26.5)	300 (22) 100 (8) 100 (8)	0.687	117	80
530-T-N3 530-T-N5 530-T-N7	316SS PVC 316SS	5.5 (20.8)	300 (22) 100 (8) 100 (8)	1.062	37	80
532-T-N3 532-T-N5 532-T-N7	316SS PVC 316SS	11.0 (41.6)	300 (22) 100 (8) 100 (8)	1.062	72	80
535-T-N3 535-T-N5 535-T-N7	316SS PVC 316SS	18.0 (68.0)	300 (22) 100 (8) 100 (8)	1.062	117	80
547-T-N3* 547-T-N5* 547-T-N7*	316SS PVC 316SS	30.0 (113.0)	200 (15) 100 (8) 100 (8)	1.062	144	80

*These models furnished with 1/2 HP motor.

MODELS 562-567 (Standard Motor: 1/2 HP-single phase-115VAC-60 cycles-TEFC-Capacitor)

MODEL NUMBER	MATERIALS OF CONSTRUCTION	CAPACITY GPH (LPH) @ 100 PSI	MAXIMUM PRESSURE PSI (KG/CM ²)	PISTON DIAMETER	STROKES PER MINUTE	SHIPPING WEIGHT LBS.
562-T-N3 562-T-N7	316SS 316SS	40.0 (151.0)	175 (13) 100 (8)	2.0	72	95
565-T-N3 565-T-N7	316SS 316SS	65.0 (246.0)	175 (13) 100 (8)	2.0	117	95
567-T-N3 567-T-N7	316SS 316SS	80.0 (302.0)	175 (13) 100 (8)	2.0	144	95



P.O. Box 247 • Lansdale, PA 19446-0247
Tel: 215-699-8700 • Fax: 215-699-0370
Toll-Free Fax: 1-800-255-4017
Web Site: <http://www.neptune1.com>
E-mail: pump@neptune1.com