

E Series "dia-PUMP"

Economy Diaphragm Pump

Series 500-E offers an economical alternate to the standard Series 500 "dia-PUMP" or an opportunity to "step-up" from packed plunger pumps to a true hydraulic diaphragm pump at a modest cost increment.

Features

- Capacity to 30 gph (113 lph); Pressure to 1100 psi (77 kg/cm²)
- Available liquid end materials: Cast Iron, 316SS, PVC, Kynar®
- Variable Oil By-pass™ stroke adjustment allows improved valve performance over variable linkage designs. (See Bulletin DP-1100 for details on "How It Works".)
- Capacity control options include electric stroke length adjustment and variable speed drives.

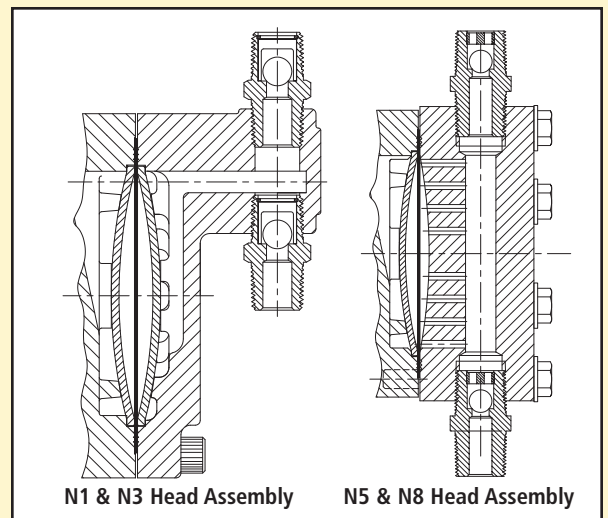
For Low Volume Applications request Bulletin LV.
 For High Viscosity Applications request Bulletin VP.
 For Higher Volumes and Pressures request Bulletin DP-1100.

Neptune
 A DOVER COMPANY



**MODEL 525-E-N3
 with Flange
 Mounted
 TEFC Motor**

CROSS SECTIONAL VIEWS



Materials of Construction

CODE	HEAD	VALVE BODY	VALVE CHECK	DIAPHRAGM
N1	Cast Iron	316SS	316SS	Teflon®
N3	316SS	316SS	316SS	Teflon®
N5	PVC*	PVC*	Glass***	Teflon®
AR**	PVC*	PVC*	Glass***	Teflon®
N8	Kynar	Kynar	Ceramic	Teflon®

* PVC head pumps are satisfactory for temperatures to 125°F/52°C.

** PVC head with air release valve for sodium hypochlorite service.

*** Special materials available for services not compatible with glass.

Neptune Series 500-E Economy Diaphragm Pumps

SELECTION CHART

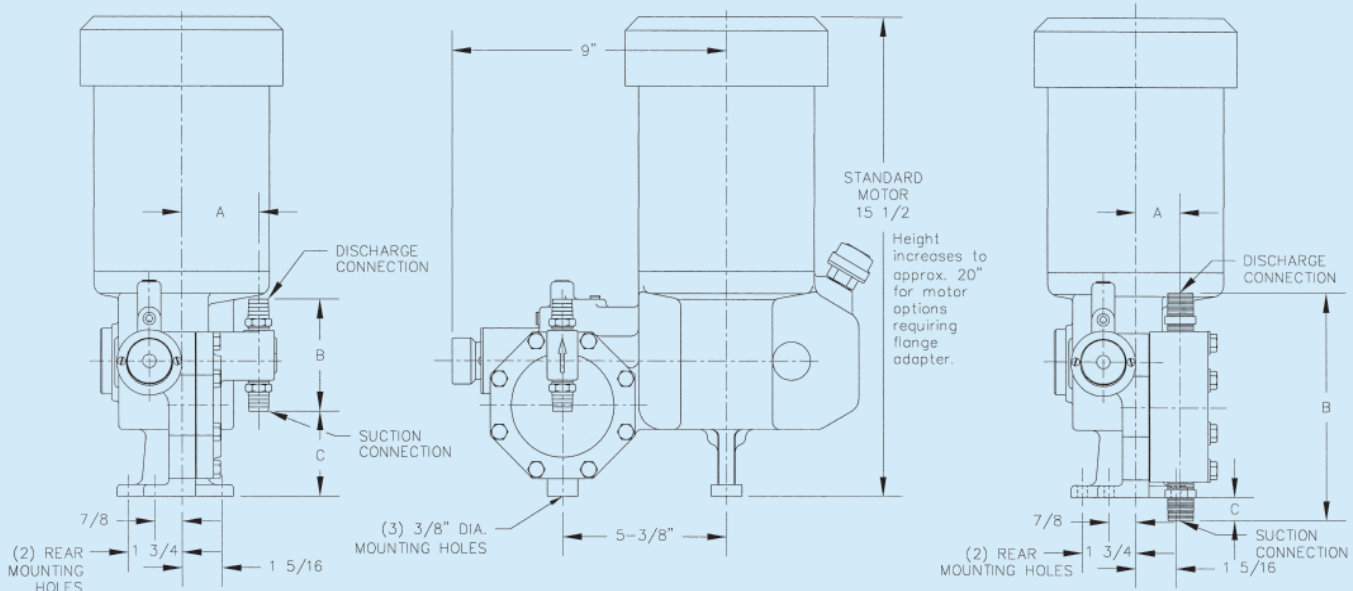
Standard Motor:
1/3HP-1ph-115VAC-60c-TEFC



*This model cannot be used for suction lift applications.

MODEL NUMBER	CAPACITY GPH (LPH) @ 100 PSI	MATERIALS OF CONSTRUCTION	MAXIMUM PRESSURE PSI (KG/CM ²)	PISTON DIAMETER	STROKES PER MINUTE	SHIPPING WEIGHT LBS.
510-E-N1* 510-E-N3* 510-E-N5* 510-E-AR* 510-E-N8*	0.8 (3.0)	Cast Iron 316SS PVC Hypochlorite Kynar	700 (49) 700 (49) 150 (11) ◀ Select Model ARPZ-61 from Bulletin PZ 150 (11)	0.500	37	59
515-E-N1 515-E-N3 515-E-N5 515-E-AR 515-E-N8	3.0 (11.3)	Cast Iron 316SS PVC Hypochlorite Kynar	1100 (77) 1100 (77) 150 (11) 150 (11) 150 (11)	0.500	117	59
520-E-N1 520-E-N3 520-E-N5 520-E-N8	2.0 (7.5)	Cast Iron 316SS PVC Kynar	700 (49) 700 (49) 150 (11) 150 (11)	0.687	37	59
522-E-N1 522-E-N3 522-E-N5 522-E-AR 522-E-N8	4.0 (15.1)	Cast Iron 316SS PVC Hypochlorite Kynar	700 (49) 700 (49) 150 (11) 150 (11) 150 (11)	0.687	72	59
525-E-N1 525-E-N3 525-E-N5 525-E-AR 525-E-N8	7.0 (26.5)	Cast Iron 316SS PVC Hypochlorite Kynar	900 (63) 900 (63) 150 (11) 150 (11) 150 (11)	0.687	117	59
527-E-AR	8.6 (32.0)	Hypochlorite	150 (11)	0.687	144	59
532-E-N1 532-E-N3 532-E-N5 532-E-N8	11.0 (41.6)	Cast Iron 316SS PVC Kynar	350 (25) 350 (25) 150 (11) 150 (11)	1.062	72	59
535-E-N1 535-E-N3 535-E-N5 535-E-N8	18.0 (68.0)	Cast Iron 316SS PVC Kynar	350 (25) 350 (25) 150 (11) 150 (11)	1.062	117	59
547-SE-N3 547-SE-N5	30.0 (113.0)	316SS PVC	200 (14) 150 (11)	1.187	144	65
547-DE-N3	30.0 ea. head (113.0 each)	316SS	200 (14)	1.187	144	85

DIMENSIONS



ALL MODELS (except 527 & 547)

For Models 527 & 547:
A = 1-7/8" for N3 Models
A = 3/4" for N5 Models

See Bulletin DP-1100 for Models 527 & 547 mounting dimensions.

MAT'L	A	B	C	CONN.
N1	2-3/4"	4"	2-3/8"	3/8 NPT
N3	2-1/2"	3-5/8"	2-3/4"	3/8 NPT

MAT'L	A	B	C	CONN.
N5	1-7/16"	7-3/8"	3/4"	1/2 NPT
N8	1-7/16"	7-3/8"	3/4"	1/2 NPT

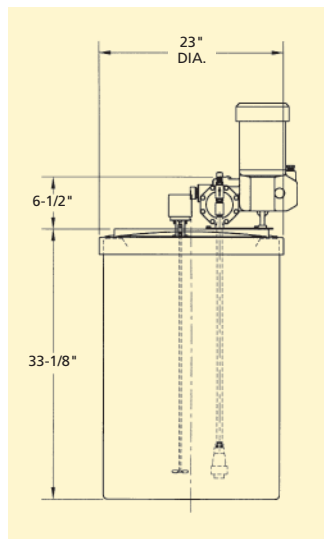
Chemical Feed Systems With Series 500-E Pumps

Economy Top-Mounted Chemical Feed System With Model ET-P Tank

System includes:



- I. Series 500-E Pump
- II. ET-P Tank (including):
 - (a) 50 gal. self-supporting polyethylene tank.
 - (b) Molded polyethylene cover.
 - (c) Suction piping and PVC foot valve strainer.
- III. Model L-2-300 Agitator – optional

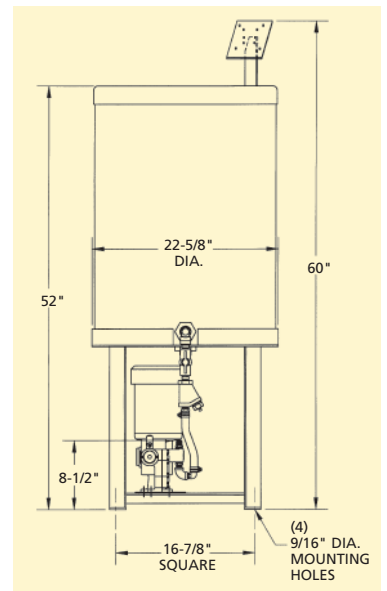


Bottom-Mounted Chemical Feed System With Model 50PT-300 Tank

System includes:



- I. Series 500-E Pump
- II. 50PT-300 Tank (including):
 - (a) 50 gal. polyethylene tank in steel support.
 - (b) Molded polyethylene cover.
 - (c) PVC suction piping, PVC valve and iron strainer.
- III. Model L-1-300 or A-1-301 Agitators – optional

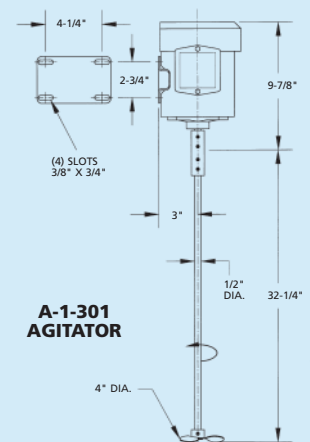
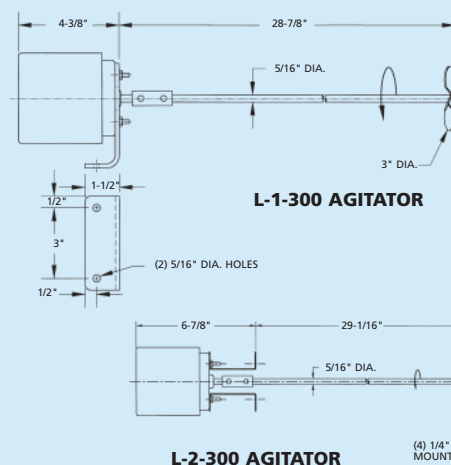
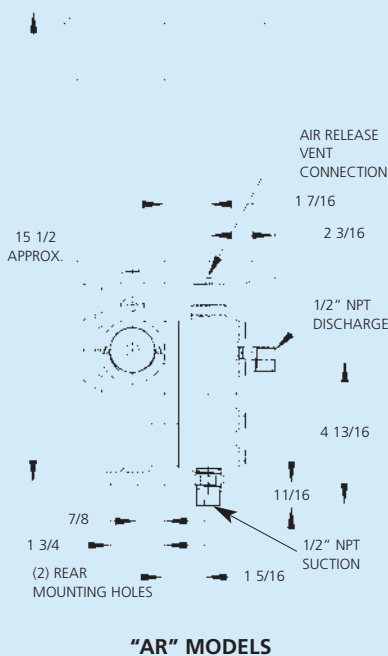


Agitators

Neptune also offers a line of economically priced agitators for use with the tanks shown above:

MODEL NUMBER	MOTOR DESCRIPTION	MOUNTING STYLE	MATERIAL OF CONSTRUCTION
L-1-300	1/20HP-1-115-TEFC	Direct Mount*	316SS
L-2-300	1/20HP-1-115-TEFC	Vert. to Lid	316SS
A-1-301	1/4HP-1-115-TEFC	Direct Mount*	316SS

*Mounting plate supplied on tank.



Other Related Accessories From Neptune Chemical Pump Company



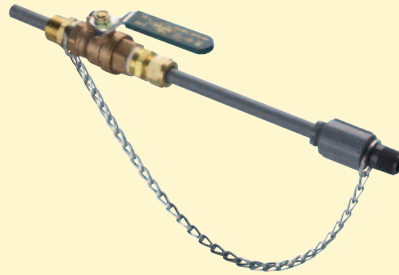
Sample Coolers

Request Bulletin SC



By-Pass Feeders

With or without legs to 12 gallons; 300 psi
Request Bulletin BF



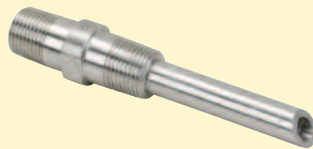
Corporation Stops & Quills

CPVC, Kynar, 316SS and Carpenter C20-Cb3
Request Bulletin CS



Nimble Skid Flexible Pump Packages

Two, three or four pumps pre-piped with choice of accessories. Corrosion resistant poly base. Containment available.



Injection Quill

CPVC, Kynar, 316SS and Carpenter C20-Cb3
Request Bulletin CS



30 Gal. Mini Tank

Use with any Series 500-E or Electronic Metering Pump
Request Bulletin FDP/CFS



Electronic Metering Pumps

Manual, milliamp or pulse controlled
Request Bulletin PZ

Back Pressure Valves

PVC, 316SS and Alloy 20 standard. Can also be used as relief valves.
Request Bulletin BP



Calibration Columns

Standard sizes 100, 250, 500, 1,000 and 4,000 ml.
Request Bulletin CC



SOLD BY:

P.O. Box 247 • Lansdale, PA 19446-0247
Tel: 215-699-8700 • Fax: 215-699-0370
Toll-Free Tel: 1-888-3NEPTUNE (1-888-363-7886)
Toll-Free Fax: 1-800-255-4017
Web Site: <http://www.neptune1.com>
E-mail: pump@neptune1.com

