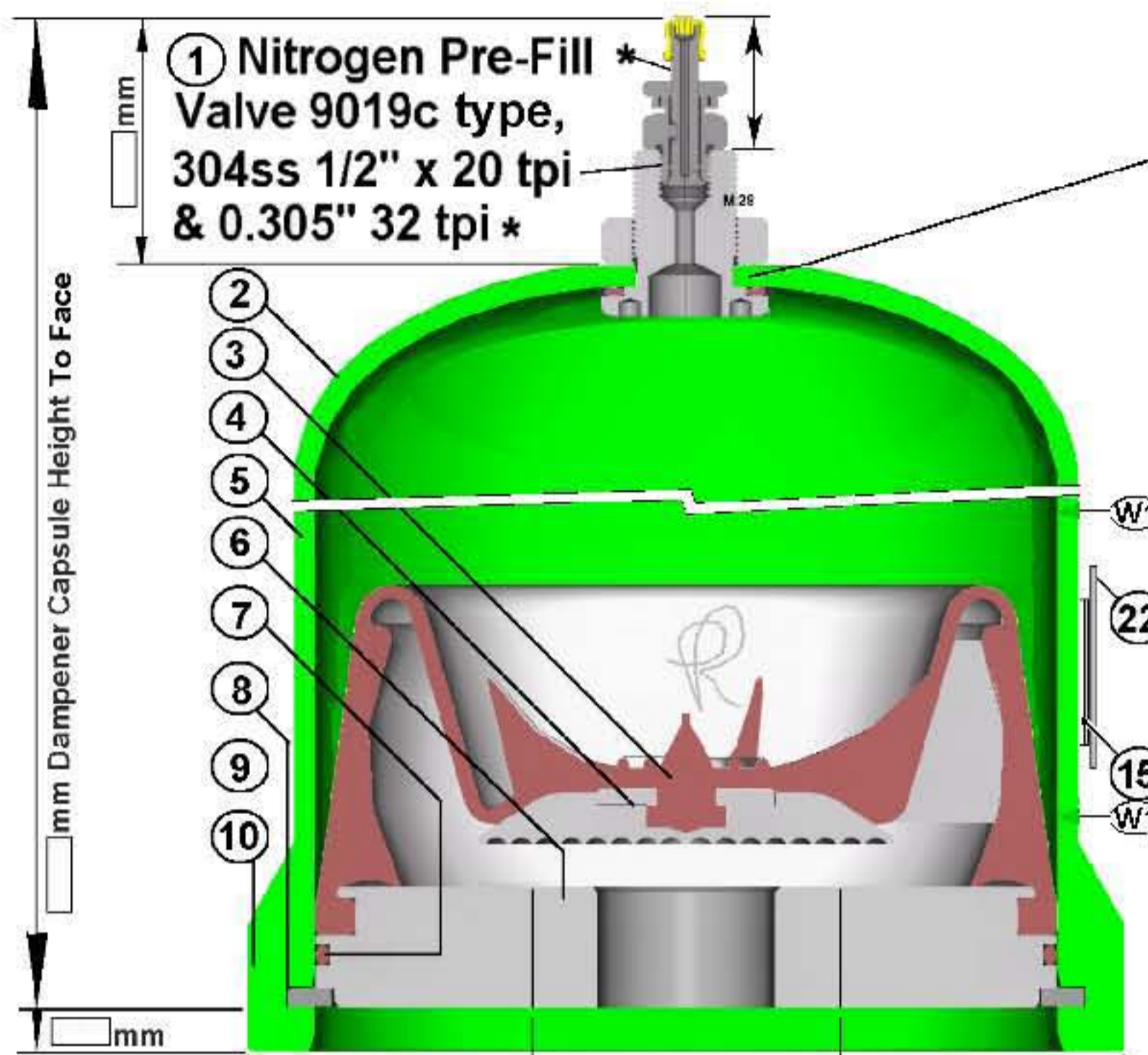


Pulsation Damper Bladder liquid inside Stainless wetted Low Pressure

"PIPEHUGGER LP" by PULSEGUARD Typical "Peg" Series Pulsation Damper, with options. Since 1978 316L, or A20, Tit2, Hasteloy etc wetted metal parts + EP, Nitrile, Hypalon, Fluorel etc bladder.



PT Nbr. 009-R (1a)
Gas overload FAIL SAFETY
Stored energy release.

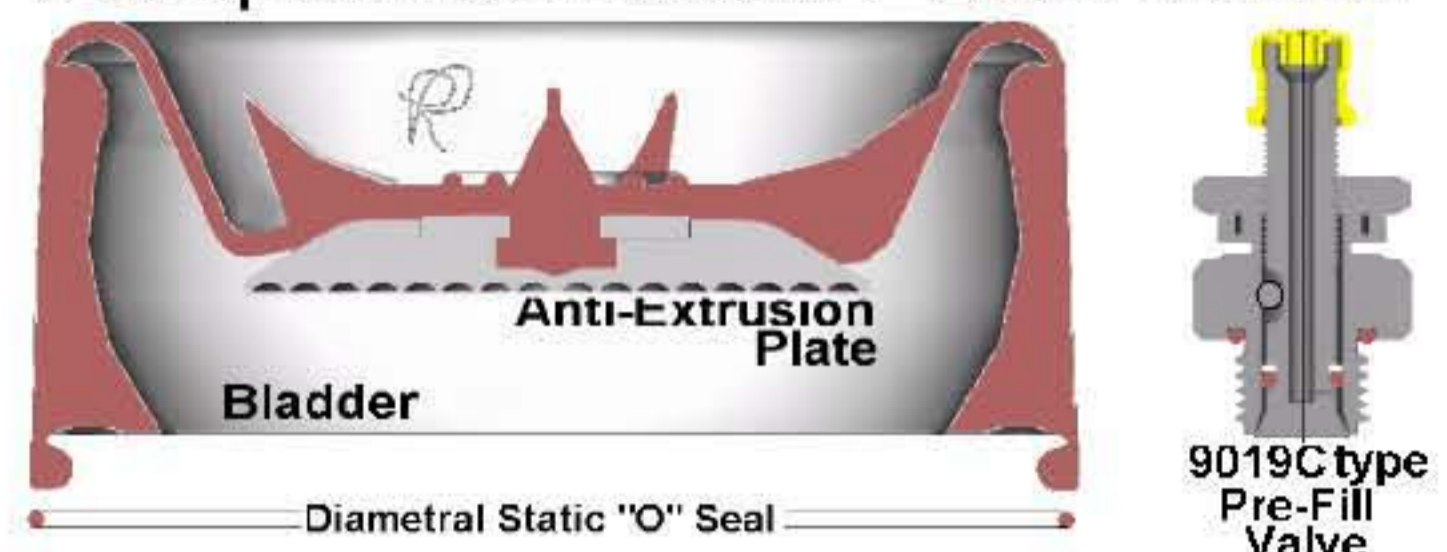
Not permitted by unsafe codes :-
PED en5500 or 13445
and ASME VIII Div I

DECLARATION
as required by PED
Mandatory Essential Safety Requirement "ESR" - to use "SAFETY COEFFICIENTS" is not complied with because neither EN 5500 nor EN 13445 have Safety Coefficients.

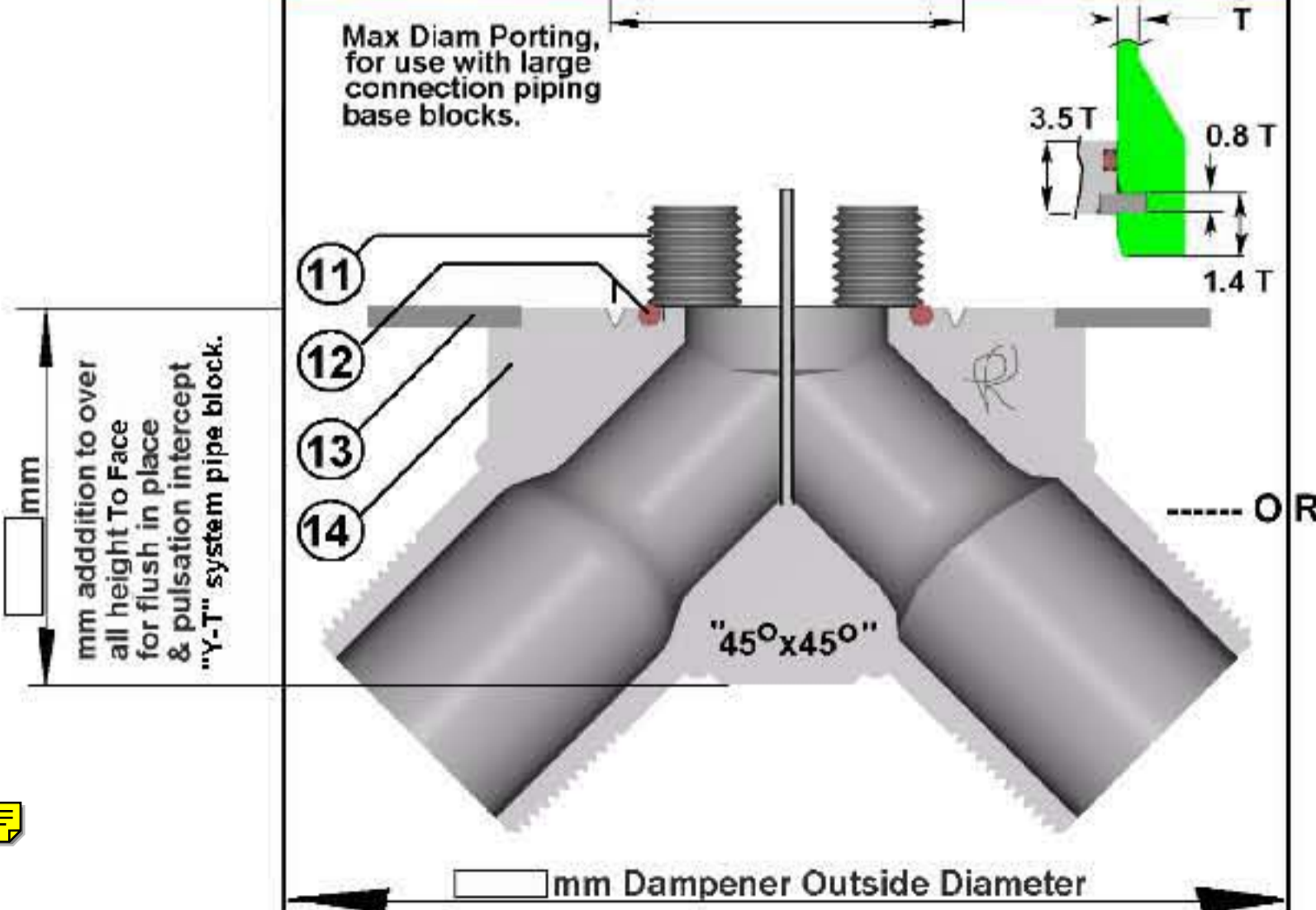
We are able to warrant safety when following our own 30 year proven methods :-
We can not accept end user statement that design pressure is working pressure
Where Allowable Working Stress = S
Design Pressure P = MAWP + 10% + 15%
Joint Efficiency = E RV RVacc
RV is for relief safety valve set pressure
RVacc for relief valve accumulation pressure
E is 1.0 No Welds, or radiographed.
E is 0.7 Welded but not radiographed.

Design Pressure x Radius Internal
 $T = \frac{S(From Pt. II D 1992) \times E}{(0.6P)}$
The ASME have increased allowable working stresses, enabling cheaper less safe vessels, so that their "U" certification business can be expanded against international competition, and the income of ASME International increased.
Concurrently European Pressure Equipment Directive, the "DEP" enforced by criminal law, has no "SAFETY COEFFICIENTS" in its "ESRs" -Essential Safety Requirements- approved for soft cyclic duty snubber dampers, whilst also allowing ductility as low as 14%.
These codes prevent code dampers being warranted safely suitable for purpose.

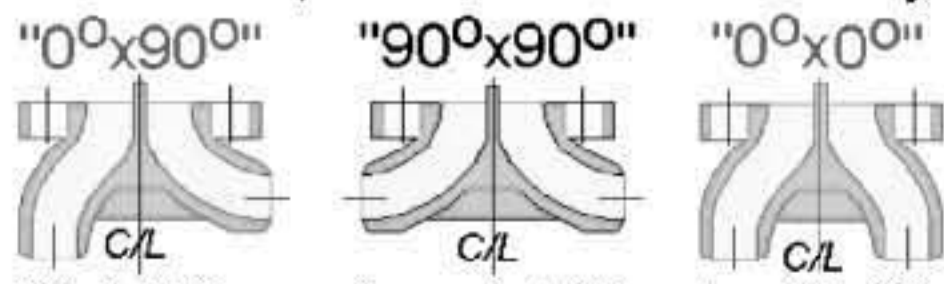
A full Spares Kit Consists of : Pt Nbr. SK/-----



W1	GTAW Argon Purge Full Penetration Root & Fill /309ss	IDENTIFICATION / TRACEABILITY
22	Stainless Data Plate on stainless banding.	
18		
17		
16		
15	Stainless banding.	
14	"PB 45°x45°" machined from billet	
13	Retaining Plate used with small bases on large dampners	
12	Face "O" seal with escapement groove for any leakage pressure build up.	
11	Socket Head Cap Screws, 4 Places. Diam. Lgth UH	
10	Open Mouth "Skirt" from pipe.	
8	Lock Ring, tamper-proof	
7	"Base Plug" - static diametral seal "O" ring	
6	End Closure / "base plug" - liquid contact part.	
5	Seamless Shell Body Tube	
4	Anti Extrusion Plate	
3	Liquid Bladder "D--- y---" (mm Dia x mm high)	
2	2:1 SE Head	
1a	PT Nbr. 009-R Fail Safe Depressurization	
1	Nitrogen Pre-Fill Valve 9019c type,	



----- O R ----- **PulseGuard** "Y-T" block, best flanging to system. In place of System "T", better flushing, & intercepts Pressure wave pulsation. For 37.5° butt weld only.



Called - Weld connection angles to this system fitting C/L
PulseGuard "Top-Hat"
Allows flushing of pipe "crud" and pipe hydro-test before damper bolt on. May also replace damper during service.

Item Nbr	Description / function	Internal "Heat/Cast No" PURCHASE No
↑ BILL OF MATERIALS ↓		

Scale : Please do not print without "MAINTAIN ASPECT RATIO" on, Use A3 paper on A3 paper, Landscape 420mm wide
Part Nbr. / Drawing Ref : _____ Date _____ th 200- Rev Nbr 1
Peg / / ___ v ___ p/D ___ /"O"/316L- ___ + PB ___ x ___ M NPT 316L

PulseGuard <http://www.PulseGuard.com>
PulseGuard für Deutschland <http://www.PulseGuard.co.uk>
PulseGuard, de langue Francaise www.pulsationdaempfer.com
PulseGuard, en Espanol/ sud Amerique amortiguador-de-pulsaciones.com
PulseGuard, dlya Russkogovoryaschih pulsations-dampfer.com

PulseGuard is the USA registered trade mark of PulseGuard Inc.
 PulseGuard is the UK registered trade mark of PulseGuard Ltd.
UK --44(0)161-480-9625 USA ---1910-270-2737