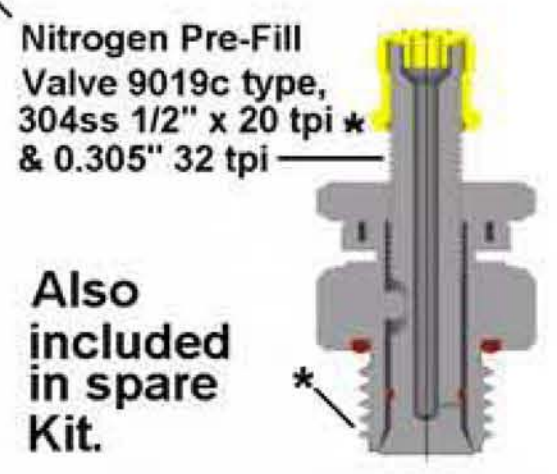
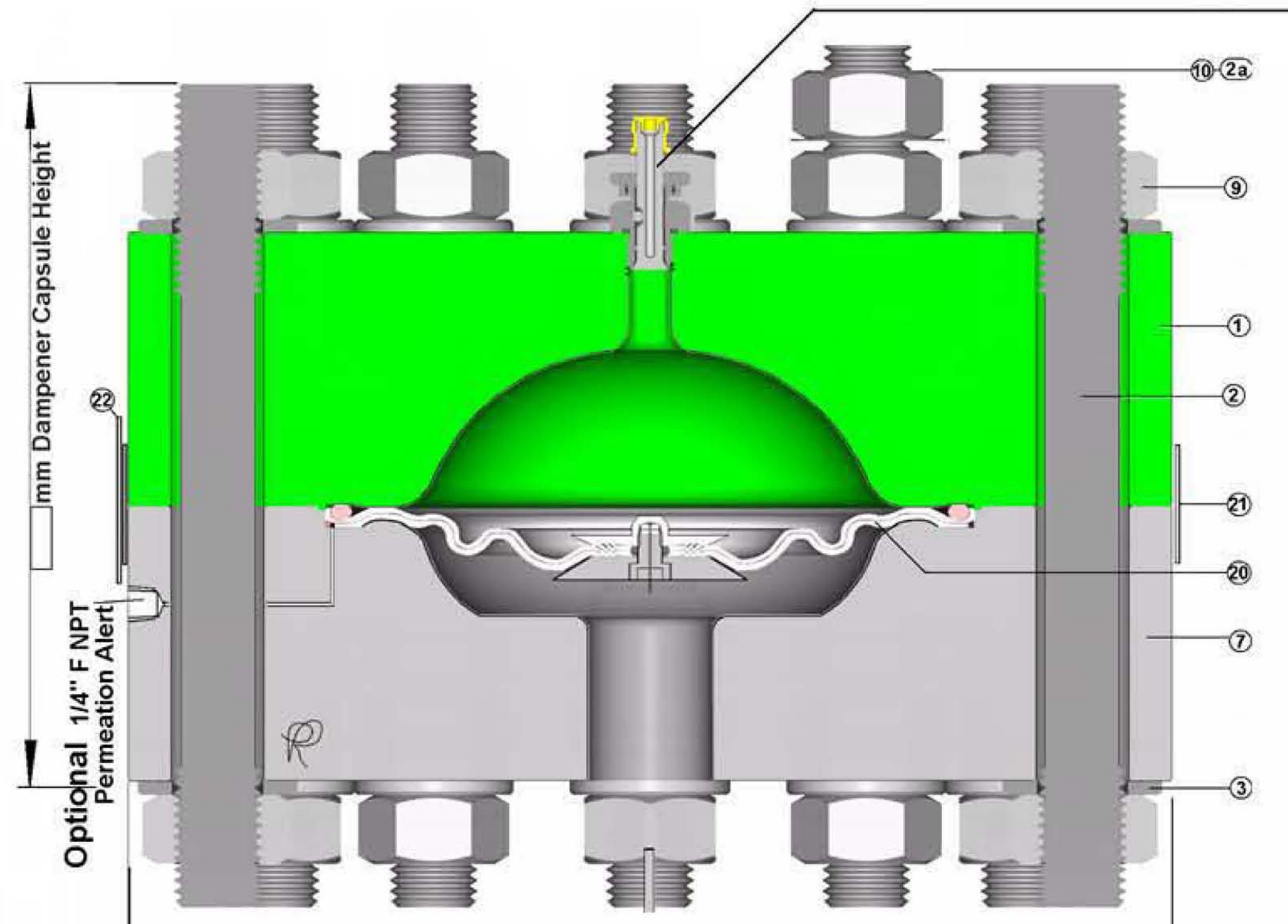
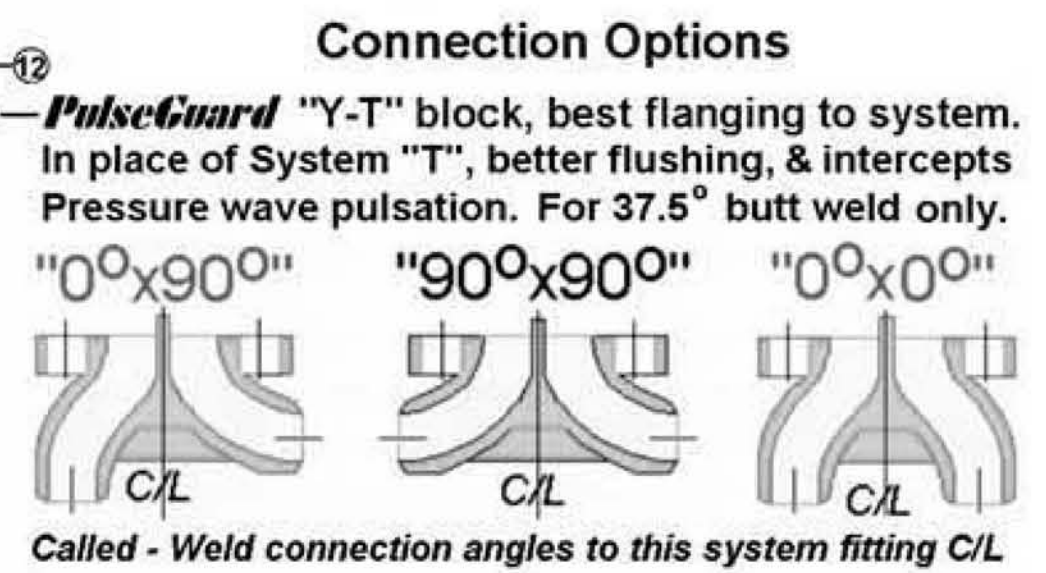
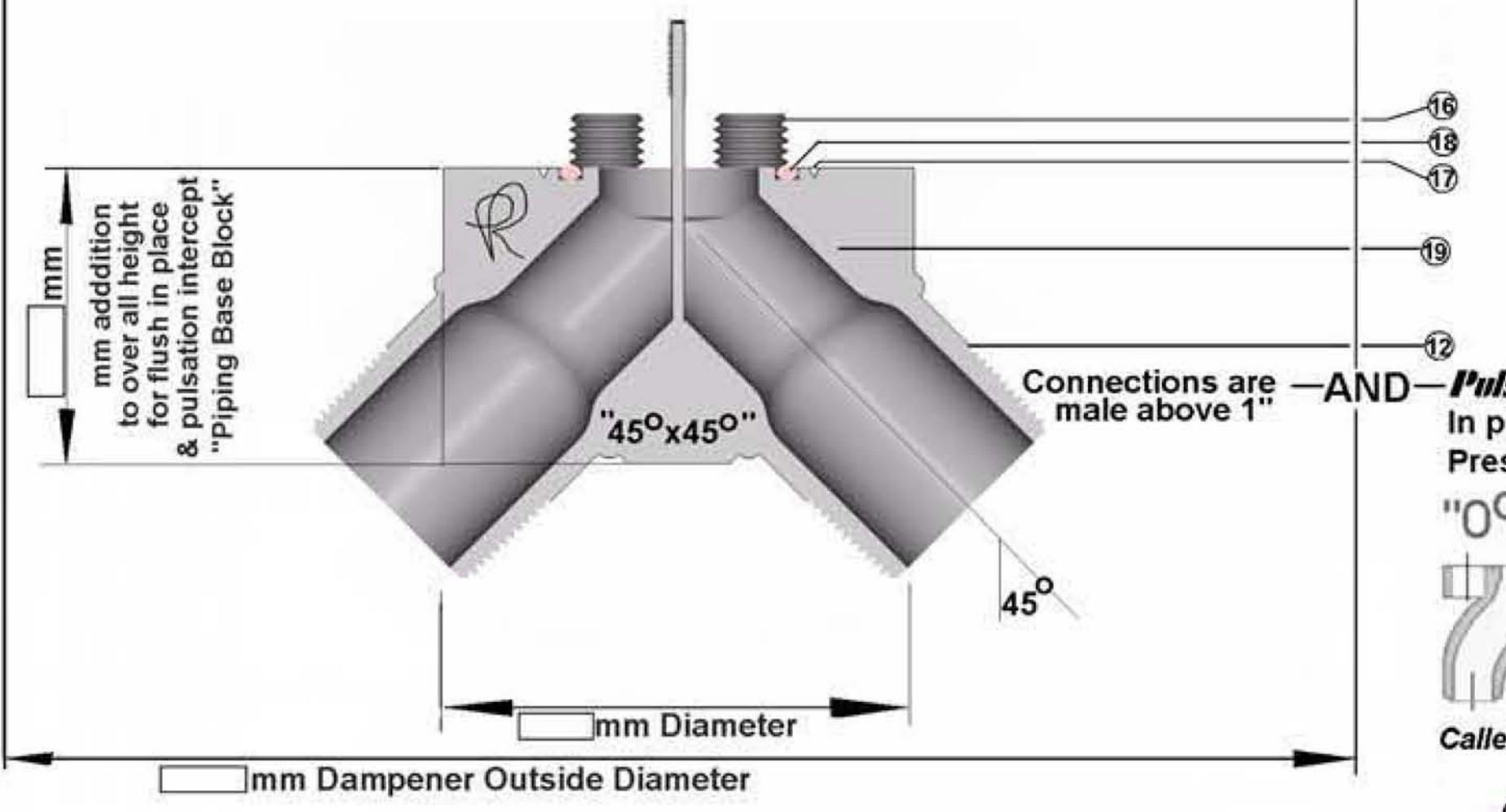
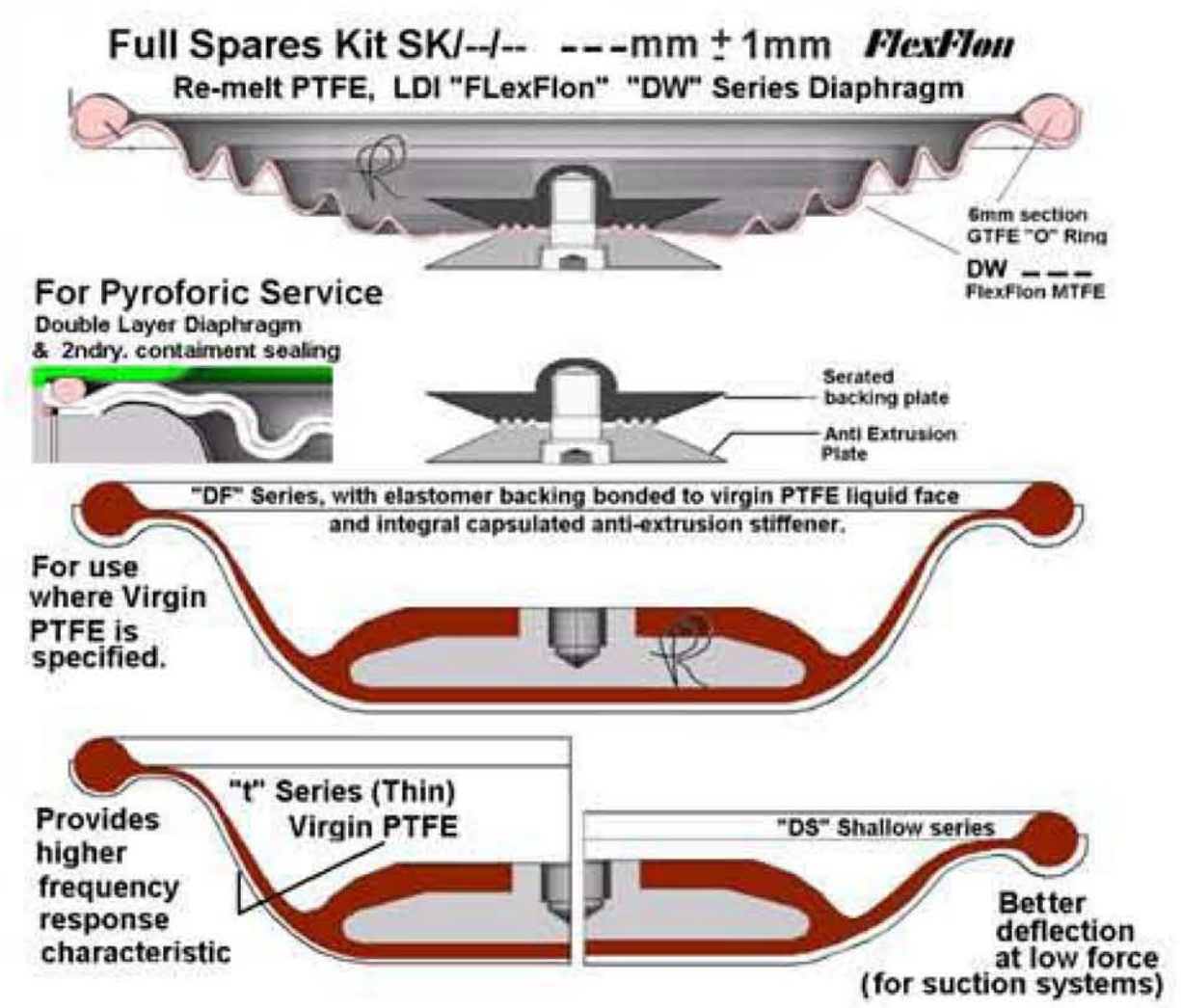


"FLEXORBER HP" by PULSEGUARD  Since 1979

Typical "FLo" Series Pulsation Damper, with options.
316L or A20 wetted metal plus PTFE Membrane.



DECLARATION as required by PED
Mandatory Essential Safety Requirement "ESR" state under design 2 at 2.1 the use of: "SAFETY COEFFICIENTS" this can not be complied with because neither EN 5500 nor EN 13445 have any Safety Coefficients.
Accordingly: It must be a fraud for any notified body to issue a certificate of conformity.



Item Nbr	Description / function	IDENTIFICATION / TRACEABILITY
22	Stainless Steel Data Plate.	Internal "Heat/Cast No" PURCHASE No
21	Split Line Safety Band, Stainless	
20	DW series Diaphragm - Flexflon	
19	Piping base block, up to 4 ports. Above 1" FNPT connections are 37.5 Degree weld bevel, or NPT Male	
18	Face "O" seal	
17	Pressure relief escape groove.	
16	Socket head bolting, 4 equi-spaced 4 by socket heads on PCD	
12	Schedule pipe nozzle,	
10	3 places - All-thread on same Pitch Circle Diameter as boltings	
9	Nuts, 1 for each bolt, 3 per all-thread, provides 1 for mounting	
7	Liquid side. Contact outside bolt circle.	
3	Large, flat washers. 2a	
2	Bolts 9 places. Mounting, long "all-thread" 3 places. with Diameter reduced to thread root diameter	
1	Nitrogen Side, Carbon Steel,	
Item Description / function ↑ BILL OF MATERIALS ↓		
Scale : Please do not print without "MAINTAIN ASPECT RATIO" on, Use A3 paper on A3 paper, Landscape, 420mm wide Part Nbr. / Drawing Ref : _____ Date _____ th 200__ Rev Nbr _____ FLO/ss/ _i/ _p/DW _/ "O"/316L-PTFE + PB _"x_" M NPT 316L		

PulseGuard <http://www.PulseGuard.com>
<http://www.PulseGuard.co.uk>
PulseGuard für Deutschland www.pulsationdaempfer.com
PulseGuard, de langue Francaise amortisseurs-de-pulsations.com
PulseGuard, en Espanol / sud Amerique amortiguador-de-pulsaciones.com
PulseGuard, dlya Russkogovoryaschih pulsations-dampfer.com

PulseGuard is the USA registered trade mark of PulseGuard Inc.
 PulseGuard is the UK registered trade mark of PulseGuard Ltd.

UK --44(0)161-480-9625 USA ---1910-270-2737